

Specifications

Models	GS-2646 AV	
Measurements	US	Metric
Working height maximum*	32 ft 6 in	9.91 m
▲ Platform height maximum**	26 ft 6 in	7.92 m
▲ Platform height stowed	4 ft 1 in	1.24 m
▲ Platform length - outside	7 ft 8 in	2.34 m
extended	12 ft 8 in	3.86 m
Extension deck	5 ft	1.52 m
▲ Platform width - outside	3 ft 9.3 in	1.15 m
Guardrail height	3 ft 7 in	1.09 m
Toeboard height	6 in	0.15 m
▲ Height - stowed	7 ft 11 in	2.41 m
▲ Length - stowed	8 ft 8 in	2.64 m
extended	13 ft 8 in	4.16 m
▲ Width- with protective padding	4 ft 9 in	1.45 m
▲ Wheelbase	6 ft 1 in	1.85 m
▲ Ground clearance - center	3.76 in	95 mm
▲ - with pothole guards deployed	0.75 in	0.02 m

Productivity

Maximum platform occupancy	3	3
Lift capacity	900 lbs	408 kg
Lift capacity - extension deck	300 lbs	136 kg
Drive speed - stowed	2.2 mph	3.5 km/h
Drive speed - raised	0.5 mph	0.8 km/h
Gradeability - stowed	25%	
Turning radius - inside	zero	zero
Turning radius - outside	7 ft 6 in	2.29 m
Raise / lower speed	30 / 38 sec	30 / 38 sec
Controls	2 speed	
Drive	dual front wheel	
Multiple disc brakes	dual rear wheel	
Tires - solid non-marking	15 x 5 x 11 in	38 x 13 x 28 cm

Power

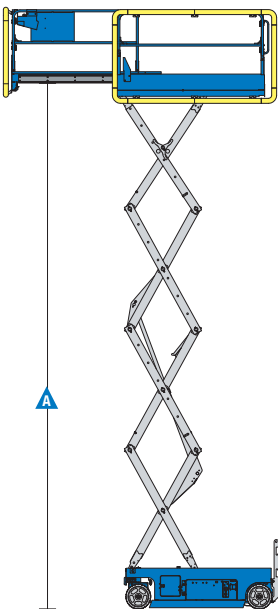
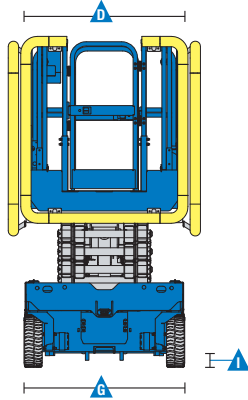
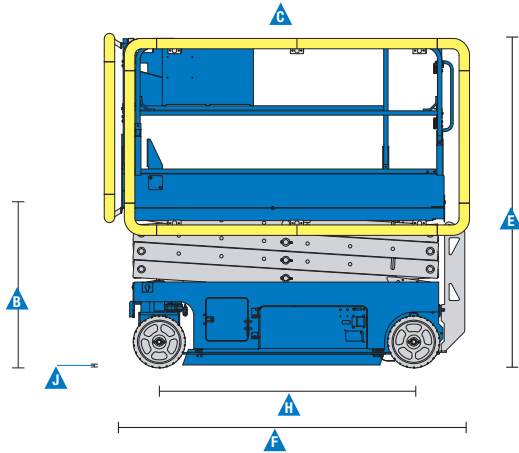
Power source	24 V DC (four 6 V 225 Ah batteries)	
Hydraulic system capacity	4.5 gal	17 L

Weight***

ANSI/CSA	5,225 lbs	2,370 kg
----------	-----------	----------

Standards Compliance

ANSI A92.6, CSA B354.2,



* The metric equivalent of working height adds 2 m to platform height. U.S. adds 6 ft to platform height.

** Maximum clearance with extension deck deployed is 25 ft 9 in.

*** Weight will vary depending on options and/or country standards.

Features

Standard Features

Measurements

GS-2646 AV

- 32 ft 6 in (9.91 m) working height
- Up to 900 lbs (408 kg) lift capacity

Productivity

- 92 x 45.3 in (2.30 x 1.15 m) steel platform
- 60 in (1.52 m) powered extension deck
- AC power to platform
- Full height swing gate
- Dual front wheel drive
- Front gate
- Gate and extension deck limit switches
- Universal 20 amp smart charger
- Rear recessed charger receptacle
- Padded aircraft protection rail (PAR)
- SmartLink™ - proportional lift and drive
- Platform control with battery charge indicator and diagnostic display
- Tread-grip deck
- On-board diagnostic system
- 28 mph (45 km/h) wind rating
- Lanyard attachment points
- Manual platform lowering valve
- Emergency stop at both platform and ground controls
- Rear wheel multiple disc brakes
- Front wheel hydraulic dynamic braking
- Brake release
- Swing-out component trays
- Solid non-marking tires
- Pothole guards
- Tilt level sensor with audible alarm
- Descent alarm
- Electronic horn
- Skydrol resistant paint

Power

- 24 V DC (four 6 V 225 Ah batteries)

Options & Accessories

Productivity Options

- Air line to platform
- Dual flashing beacons
- Motion alarm
- Keyless switch
- Remote charging (no on-board charger)
- 35 mph (56 km/h) wind rating

Power Options

- EE rating
- Power inverter (120 V / 60 Hz)
- AGM maintenance-free batteries



Genie United States

18340 NE 76th Street
P.O. Box 97030
Redmond, Washington 98073-9730
Telephone +1 (425) 881-1800
Toll Free in USA/Canada +1 (800)-536-1800
Fax +1 (425) 883-3475

Distributed By: