





SPX424CDH/SPX424C+

 LxWxH	10' 4" x 2' 6" x 6' 5"
	12' 3" x 12' 3"

HARDWARE		WEIGHT (LBS)
	SPX424CDH	4475
	SPX424C+	4695
	/	440
	2.5T-D7	44
	PP400-4DX PP220-4DX PP220-2DX	100
	JIB800GX	55
	JIB800.1MX	245
	JIB800.1H1MX	310
	JIB800.2H1MX	330
	MR800.4	650

SPX424CDH		KUBOTA D722-E3B		
		3	kW	14,9kW 20Hp

SPX424C+		n°4 6V 240 Ah	kW	24 V-3F 4,0 kW 5,5 Hp
----------	---	------------------	-----------	-----------------------------



	5300 lbs
	39' 1"
	49' 3"

A2B

CCI

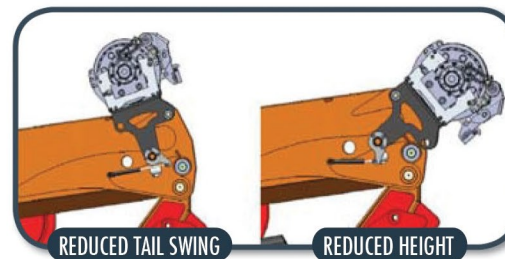
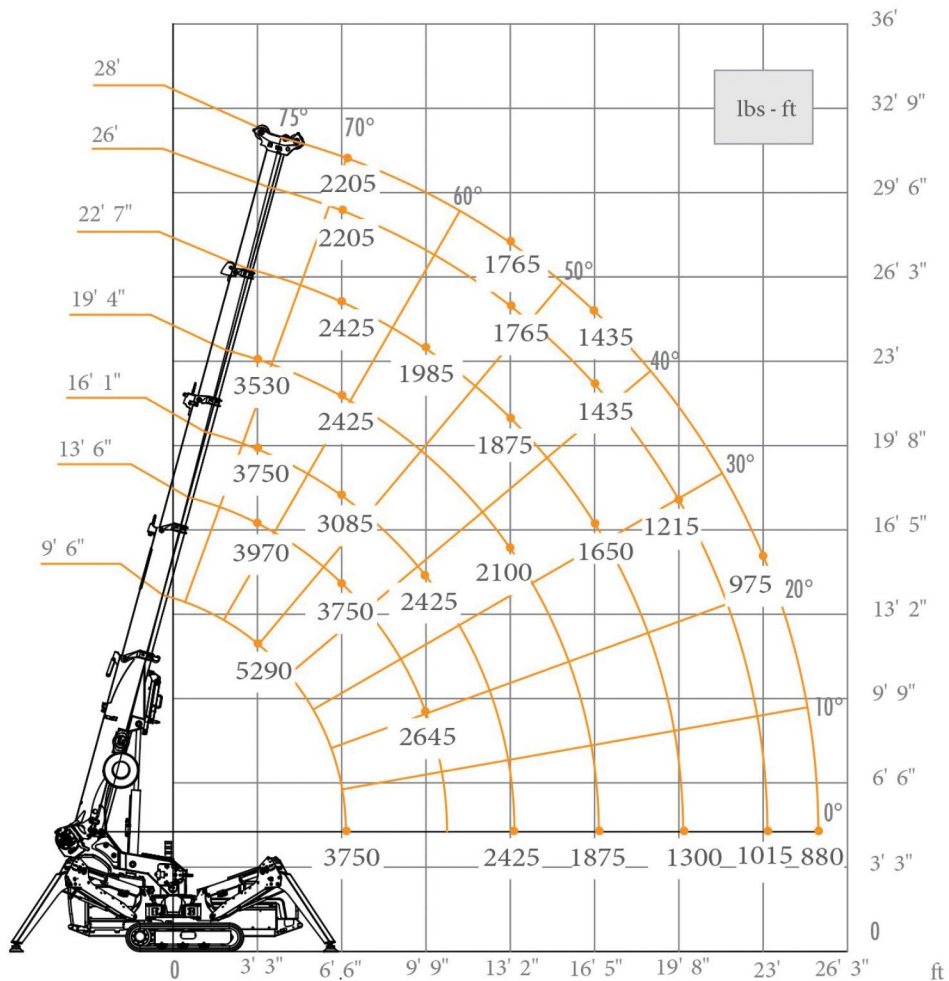
DTC

GSC

LMI

PPA

2ST



JIB800GX | **JIB800.1MX** | **JIB800.1H1MX** | **JIB800.2H1MX** | **MR800.4**

Model	MAX Capacity (lbs-ft)	MAX Reach (ft)	MAX Height (ft)
JIB800GX	1765	33' 6"	27' 3"
JIB800.1MX	1765	42' 9"	36' 5"
JIB800.1H1MX	1765	45' 3"	39'
JIB800.2H1MX	1765	49' 3"	37' 8"
MR800.4	1765	32' 9"	21' 4"