



Technical Data

Specification & Capacities



SPX1040CDH-I

S.N: _____



18,5kW/ 25HP



15' 01" – 47' 07"



8800lb



B30.5

[ft] [lb]



SPX1040CDH-I



SPX1040CDH-I



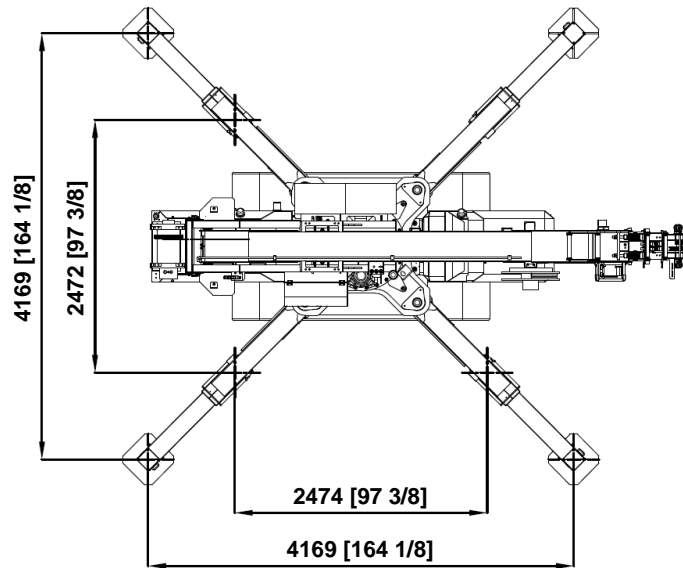
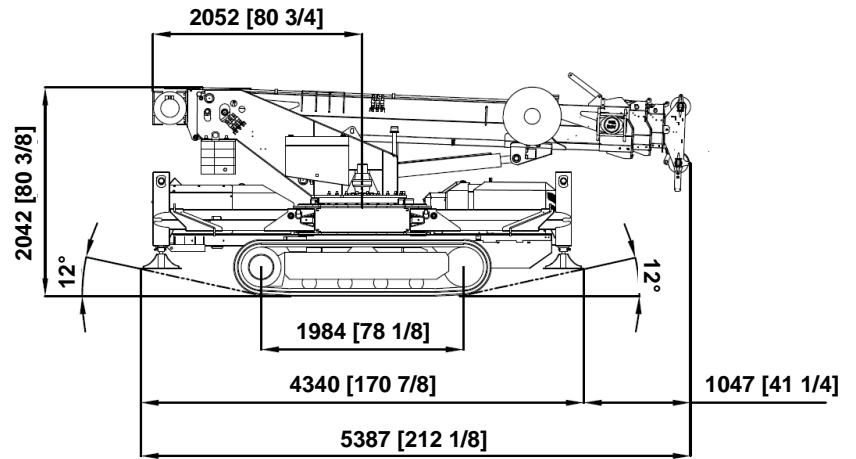
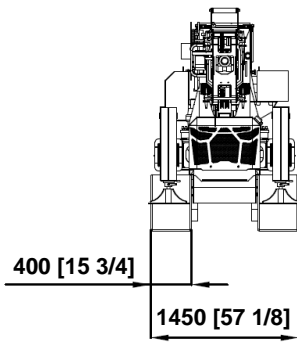
Via Campardone, 1
31014 Colle Umberto – Italy
Tel. +39 0438 1710083
Mail: info@jekko.it
Web: www.jekko.it





Date	Feb. 1 st 2017
REV.	0





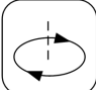

SPX1040CDH-1




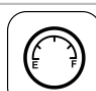
SPX1040CDH-1



		lb
		12320
		1672
	Tot.	13992

	mph	1,24
	25°	
	lb/ft ²	1208
	lb	9921

	-4°/80°	35s
	360°	1,0 rpm
	ft 15'01"-47'06"	40s

	KUBOTA D1105-E3B		kW 18,5kW/25HP	
			DIESEL	
			gal	5,3



SPX1040CDH-I

HOIST PERFORMANCE

Layer	Max Line Pull	Normal Line Speed	High Line Speed
	lb	ft/min	ft/min
1	2.653 (*)	136	254
2	2.470 (*)	146	273
3	2.311 (*)	156	291
4	2.170 (*)	166	310

(*) 2200lb LMI limited

Wire Rope	Diameter	Tot. Length	Max Load
	In	ft	lb
19x7 right lang lay Non rotating	5/16"	410	11.957

HOOK BLOCK

LOAD	No. of	
	Sheaves	Lines
8818	2	4
6614	2	3
4409	1	2
2205		1

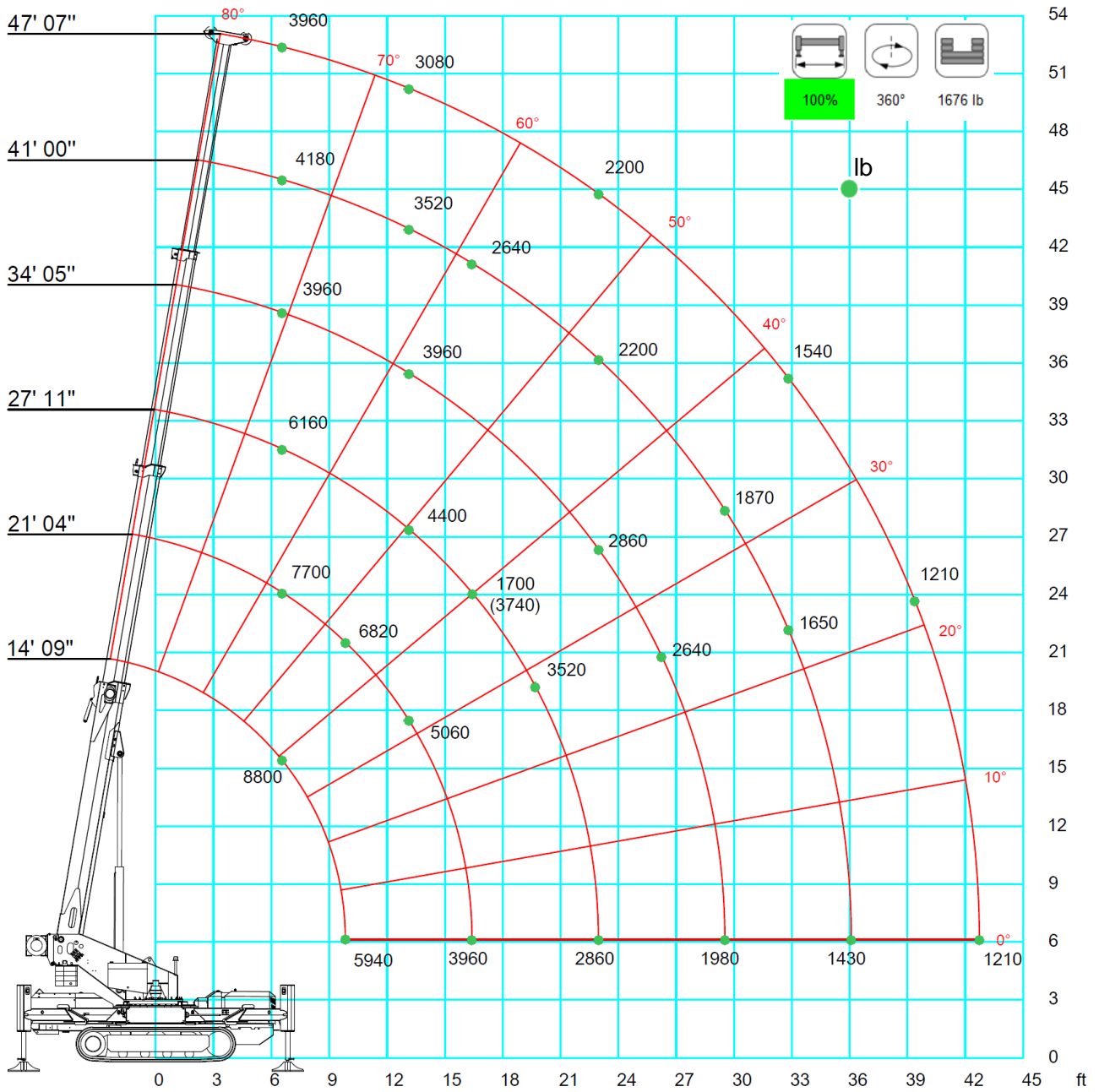


SPX1040CDH-I




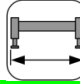
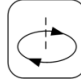
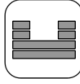

SPX1040CDH-1

SPX1040CDH-1 – MAIN BOOM

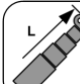
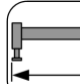


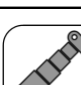




SPX1040CDH-I

[ft] [lb]															
		100%	360°	1676 lb	14' 09"	18' 01"	21' 04"	24' 07"	27' 11"	31' 02"	34' 05"	37' 09"	41' 00"	44' 03"	47' 07"
6' 07"	8800	8140	7700	7260	6160	5720	5280	4620	4180	4070	3960				
9' 10"	5940	6600	6820	6160	5720	5060	4400	4180	3960	3850	3740				
13' 01"	4840	4840	5060	4620	4400	4180	3960	3740	3520	3410	3080				
16' 05"		3960	3960	3960	3740	3520	3520	3080	2640	2530	2530				
19' 08"				3300	3520	3300	3080	2860	2640	2420	2200				
23' 00"					2860	2860	2860	2640	2200	2200	2200				
26' 03"						2420	2640	2420	2200	1980	1980				
29' 06"							1980	1980	1870	1760	1760				
32' 10"								1760	1650	1540	1540				
36' 01"									1430	1430	1320				
39' 04"										1210	1210				
43' 04"											1210				

SPX1040.04.02.000.105.15.A

[ft] [lb]												
		50%	360°	1676 lb	14' 09"	18' 01"	21' 04"	24' 07"	27' 11"	31' 02"	34' 05"	37' 09"
6' 07"	8800	7260	6160	5060	3740	2860	2090	1870				
9' 10"	5940	5940	5500	4290	3410	2530	1760	1650				
13' 01"	4400	4400	4070	3300	2640	2090	1540	1430				
16' 05"		3190	3190	2750	2200	1760	1430	1210				
19' 08"				2310	2090	1650	1210	1100				
23' 00"					1760	1430	1100	990				
26' 03"						1210	990	880				
29' 06"							770	770				
32' 10"								660				

SPX1040.04.01.000.105.15.A

[ft] [lb]				
		0%	360°	1676 lb
	14' 09"	18' 01"	21' 04"	
6' 07"	440	440	220	
9' 10"	440	440	220	
13' 01"		440	220	
16' 05"			220	


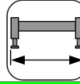
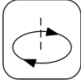

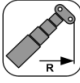
SPX1040.04.00.000.105.15.A

[ft] [lb]				
		4'07" / 4'09"	0°-180°	1676 lb
	14' 09"	18' 01"	21' 04"	24' 07"
	27' 11"			
6' 07"	2200	2200	2200	1870
	660			
9' 10"	2200	2200	1980	1210
	550			
13' 01"		1980	1540	880
	440			
16' 05"			1210	770
	330			
19' 08"				660
	330			
23' 04"				220

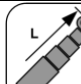
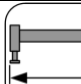

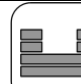
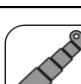
SPX1040.04.03.000.105.15.A



SPX1040CDH-I

[ft] [lb]												
		100%	360°	0 lb								
	14' 09"	18' 01"	21' 04"	24' 07"	27' 11"	31' 02"	34' 05"	37' 09"	41' 00"	44' 03"	47' 07"	
6' 07"	8800	8140	7700	7260	6160	5060	3960	3520	3300	3080	3080	
9' 10"	5940	6600	6820	6160	5720	4620	3960	3520	3080	2860	2860	
13' 01"	4840	4840	5060	4620	4400	3960	3520	3080	2640	2420	2420	
16' 05"		3960	3960	3960	3740	3300	3080	2640	2200	2090	2090	
19' 08"				2750	2970	2750	2640	2420	2200	1980	1870	
23' 00"					2420	2420	2420	2200	1870	1870	1870	
26' 03"						1980	2200	1980	1870	1650	1650	
29' 06"							1650	1650	1430	1320	1320	
32' 10"								1320	1210	1100	1100	
36' 01"									1100	1100	990	
39' 04"										880	880	
43' 04"											880	

SPX1040.00.02.000.105.15.A

[ft] [lb]										
		50%	360°	0 lb						
	14' 09"	18' 01"	21' 04"	24' 07"	27' 11"	31' 02"	34' 05"	37' 09"		
6' 07"	8800	7260	6160	5060	3740	2860	2090	1870		
9' 10"	5940	5940	5500	4290	3410	2530	1760	1650		
13' 01"	4400	4400	4070	3300	2640	2090	1540	1430		
16' 05"		3190	3190	2750	2200	1760	1430	1210		
19' 08"				2310	2090	1650	1210	1100		
23' 00"					1760	1430	1100	990		
26' 03"						1210	990	880		
29' 06"							770	770		
32' 10"								660		

SPX1040.00.01.000.105.15.A



SPX1040CDH-I

[ft] [lb]				
		0%	360°	0 lb
	14' 09"	18' 01"	21' 04"	
6' 07"	440	440	220	
9' 10"	440	440	220	
13' 01"		440	220	
16' 05"			220	

SPX1040.00.00.000.105.15.A

[ft] [lb]				
			360°	0 lb
	14' 09"	18' 01"	21' 04"	
6' 07"	440	440	220	
9' 10"	440	440	220	
13' 01"		440	220	
16' 05"			220	

SPX1040.00.03.000.105.15.A

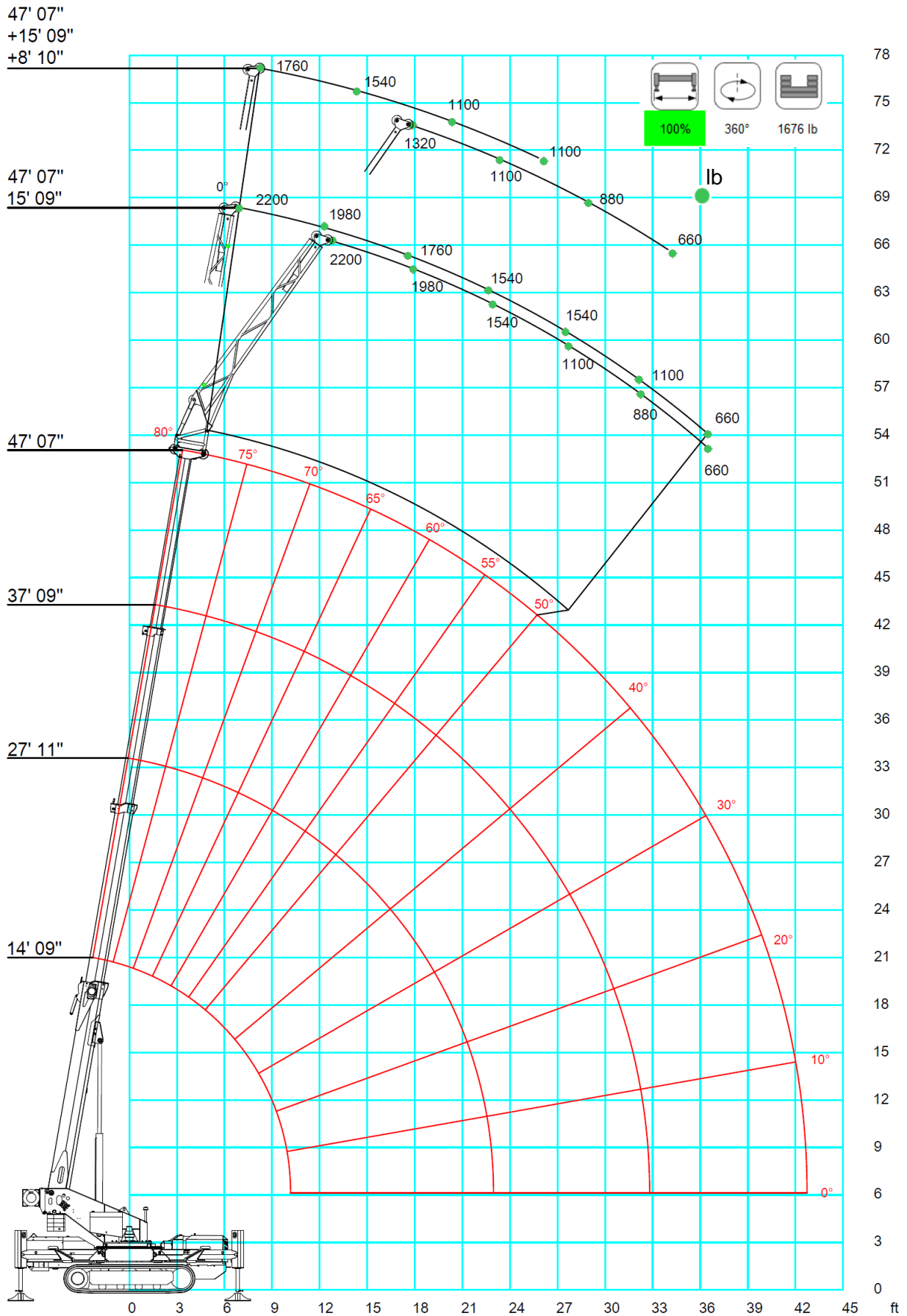


SPX1040CDH-I




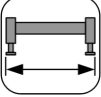
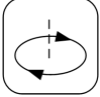


SPX1040CDH-1

SPX1040CDH-1 + JIB1000.1FL


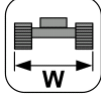
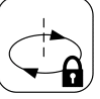
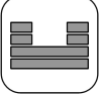
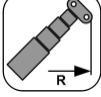




SPX1040CDH-I

[ft] [lb]				
	JIB1000.1FL	100%	360°	1676lb
	15' 09"		15' 09" + 8' 10"	
	0°	25°	0°	25°
80°	2200	2200	1760	1320
75°	1980	1980	1540	1100
70°	1760	1540	1100	880
65°	1540	1100	880	660
60°	1540	880		
55°	1100	660		
50°	660			

SPX1040.04.02.130.105.15.A

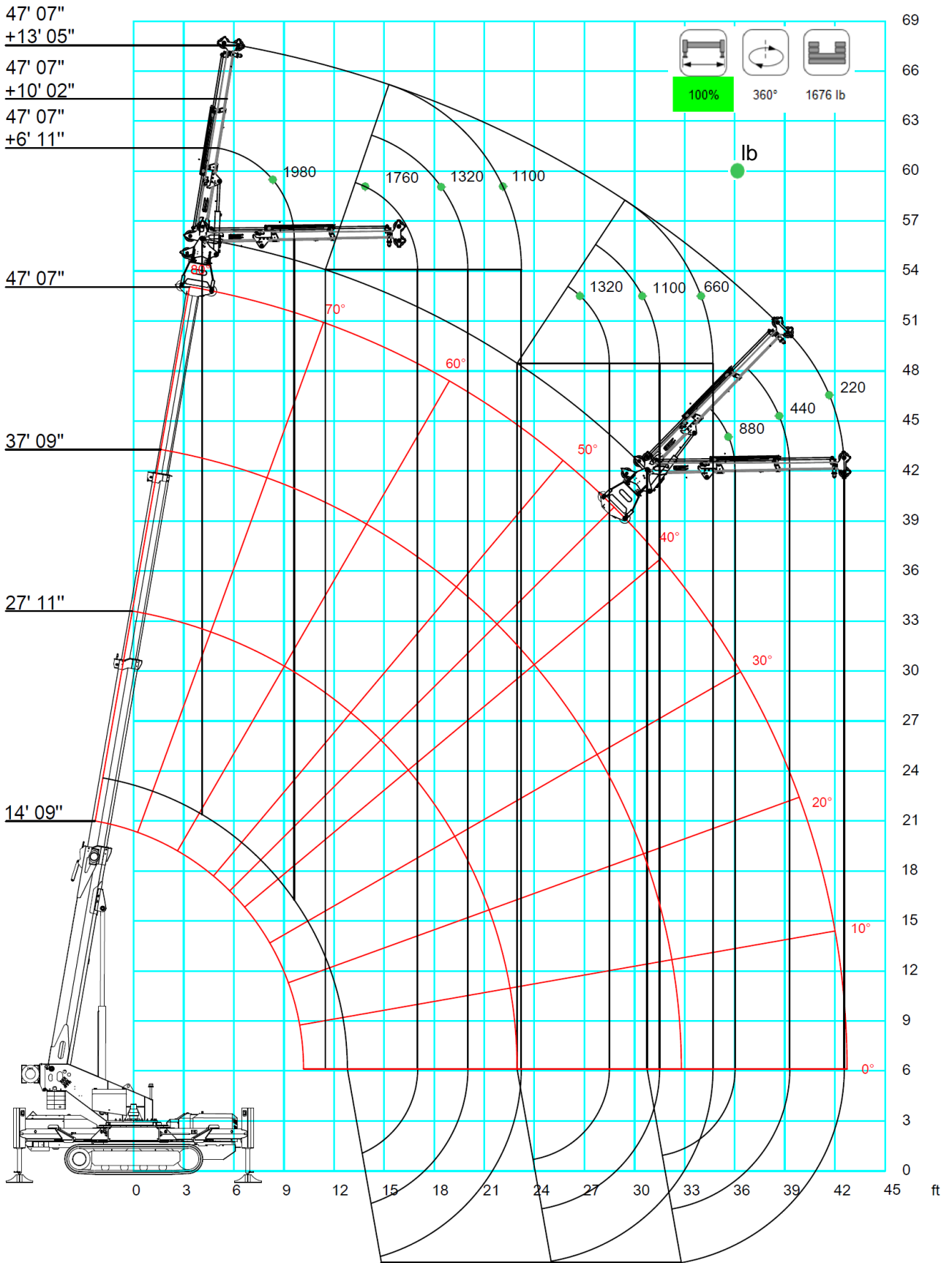
[ft] [lb]				
	JIB1000.1FL	4'07" / 4'09"	0°-180°	1676lb
	5' 07"	12' 02"		
6' 07"	440	220		
16' 05"	440	220		

SPX1040.04.03.130.105.15.A




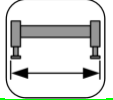
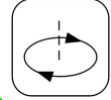
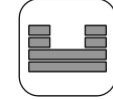
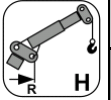
SPX1040CDH-1

SPX1040CDH-1 + JIB600.2H

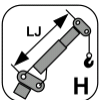


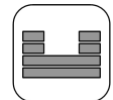






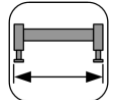
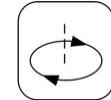
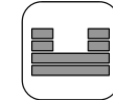
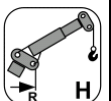
SPX1040CDH-I

[ft] [lb]				
	JIB600.2H	100%	360°	1676lb
5' 07"	5' 07"	8' 06"	12' 02"	
5' 11"	1980	1320	1100	
11' 06"	1760	1320	1100	
23' 00"	1320	1100	660	
31' 02"	880	440	220	

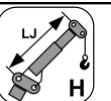
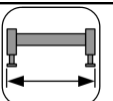
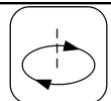
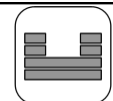
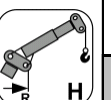
SPX1040.04.02.200.105.15.A

[ft] [lb]				
	JIB600.2H	4'07" / 4'09"	0°-180°	1676lb
5' 07"	5' 07"	12' 02"		
6' 07"	440	220		
16' 05"	440	220		

SPX1040.04.03.200.105.15.A

[ft] [lb]				
	JIB600.2H	50%	360°	1676lb
5' 07"	5' 07"	8' 06"	12' 02"	
5' 11"	1980	1320	1100	
11' 06"	1980	1320	1100	
23' 00"	990	770	550	

SPX1040.04.01200.105.15.A

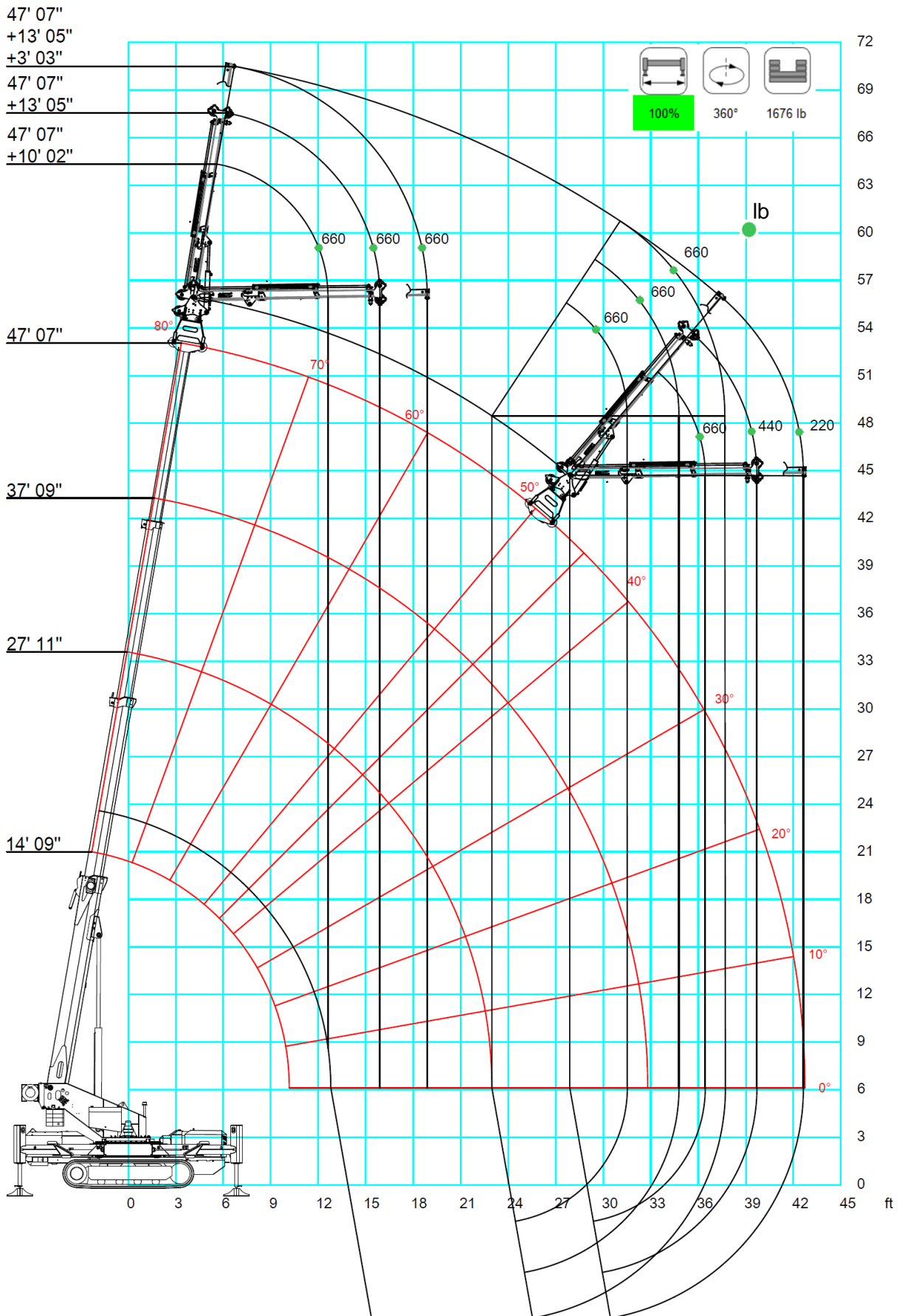
[ft] [lb]				
	JIB600.2H	0%	360°	1676lb
5' 07"	5' 07"	8' 06"	12' 02"	
6' 07"	440	220	220	
9' 10"	440	220	220	
13' 01"	440	220	220	
16' 05"	440	220	220	

SPX1040.04.00.200.105.15.A



SPX1040CDH-1

SPX1040CDH-1 + JIB600.2H + STINGER





SPX1040CDH-I

[ft] [lb]				
	JIB600.2H +1M	100%	360°	1676lb
		8' 10"	11' 10"	15' 05"
5' 11"	660	660	660	
11' 06"	660	660	660	
23' 00"	660	660	660	
27' 11"	660	440	220	

SPX1040.04.02.2012.05.15.A

[ft] [lb]				
	JIB600.2H +1M	4'07" / 4'09"	0°-180°	1676lb
		8' 10"	15' 05"	
6' 07"	440	220		
16' 05"	440	220		

SPX1040.04.03.2012.05.15.A

[ft] [lb]				
	JIB600.2H +1M	50%	360°	1676lb
		8' 10"	11' 10"	15' 05"
5' 11"	660	660	660	
11' 06"	660	660	660	
19' 08"	660	660	550	

SPX1040.04.012012.05.15.A

[ft] [lb]				
	JIB600.2H +1M	0%	360°	1676lb
		8' 10"	11' 10"	15' 05"
6' 07"	440	220	220	
9' 10"	440	220	220	
13' 01"	440	220	220	
16' 05"	440	220	220	

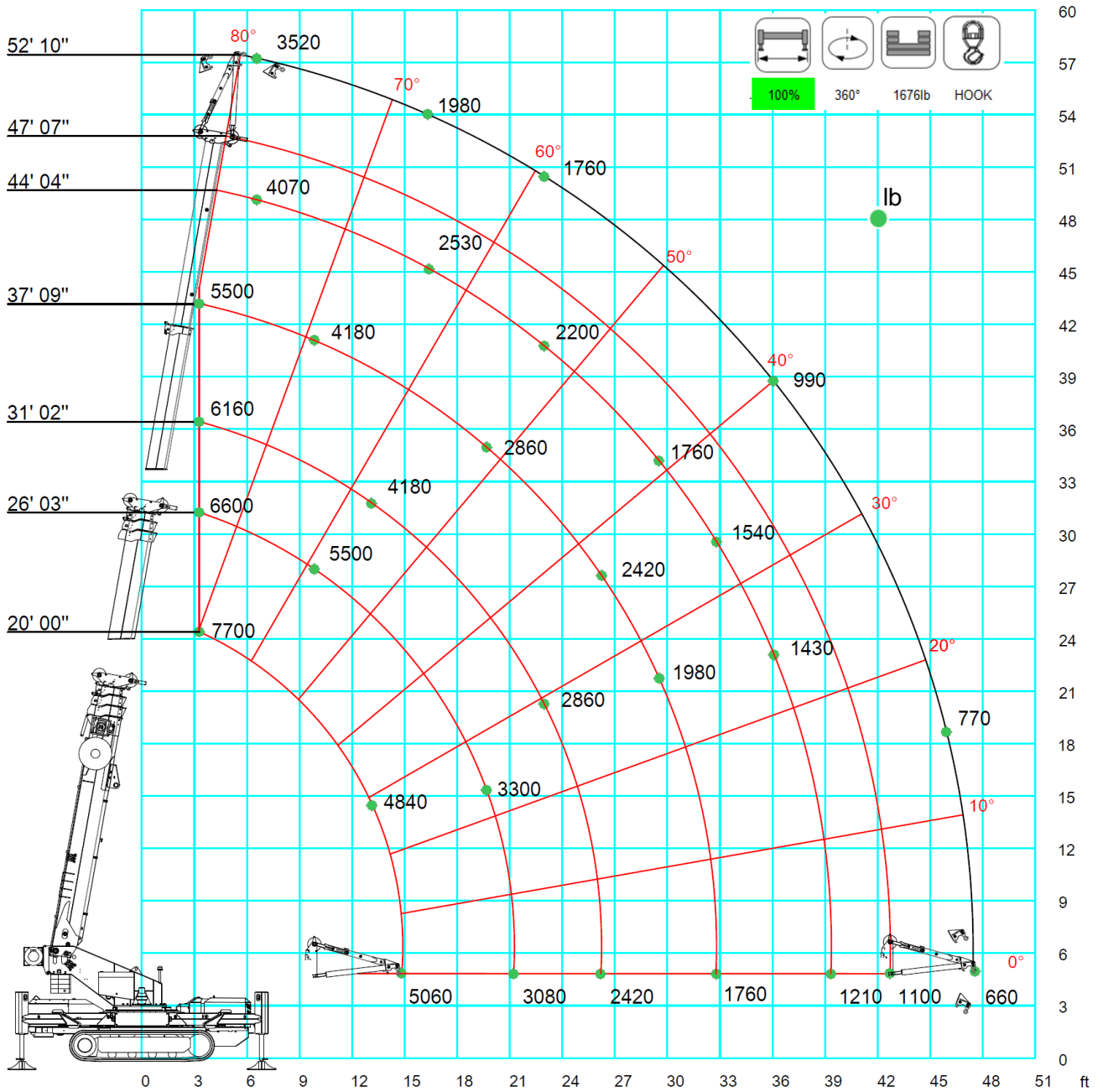
SPX1040.04.00.2012.05.15.A



SPX1040CDH-1


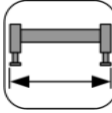
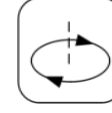
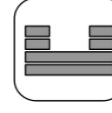
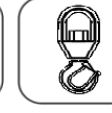

SPX1040CDH-1 + JIB3500G

HOOK MODE



[ft] [lb]							
	JIB3500G	100%	360°	1676 lb	HOOK		
	20' 00"	26' 03"	31' 02"	37' 09"	44' 03"	47' 07"	52' 10"
3' 03"	7700	6600	6160	5500			
6' 07"	7040	5940	5500	4620	4070	3960	3520
9' 10"	6160	5500	5060	4180	3850	3740	3300
13' 01"	4840	4620	4180	3740	3410	3080	2750
16' 05"		3740	3520	3080	2530	2530	1980
19' 08"		3300	3190	2860	2420	2200	1870
23' 00"			2860	2640	2200	2200	1760
26' 03"			2420	2420	1980	1980	1430
29' 06"				1980	1760	1760	1210
32' 10"				1760	1540	1540	1100
36' 01"					1430	1320	990
39' 04"					1210	1210	880
42' 08"						1100	836
45' 11"							770
47' 07"							660

SPX1040.04.02.320.2.01.16.A

[ft] [lb]					
	JIB3500G	50%	360°	1676 lb	HOOK
	20' 00"	26' 03"	31' 02"	37' 09"	
3' 03"	7700	5500	3300		
6' 07"	6600	3960	2860	1870	
9' 10"	5500	3520	2530	1650	
13' 01"	4400	2860	2090	1430	
16' 05"		2200	1760	1210	
19' 08"		1980	1650	1100	
23' 00"			1430	990	
26' 03"			1210	880	
29' 06"				770	
32' 10"				660	

SPX1040.04.01320.2.0116.A

[m] [kg]							
	JIB3500G	100%	360°	0 lb	HOOK		
	20' 00"	26' 03"	31' 02"	37' 09"	44' 03"	47' 07"	52' 10"
3' 03"	7700	6600					
6' 07"	7040	5940	5060	3520	3080	3080	2640
9' 10"	5940	5500	4620	3520	2860	2860	2420
13' 01"	4840	4620	3960	3080	2420	2420	1980
16' 05"		3740	3300	2640	2090	2090	1540
19' 08"		2860	2750	2420	1980	1870	1430
23' 00"			2420	2200	1870	1870	1320
26' 03"			1980	1980	1650	1650	1100
29' 06"				1540	1320	1320	770
32' 10"				1320	1100	1100	704
36' 01"					1100	990	660
39' 04"					880	880	594
42' 08"						880	550
45' 11"							506
47' 07"							440

SPX1040.00.02.320.2.01.16.A

[m] [kg]					
	JIB3500G	50%	360°	0 lb	HOOK
	20' 00"	26' 03"	31' 02"	37' 09"	
3' 03"	7700	5500	3300		
6' 07"	6600	3960	2860	1870	
9' 10"	5500	3520	2530	1650	
13' 01"	4400	2860	2090	1430	
16' 05"		2200	1760	1210	
19' 08"		1980	1650	1100	
23' 00"			1430	990	
26' 03"			1210	880	
29' 06"				770	
32' 10"				660	

SPX1040.00.01320.2.0116.A



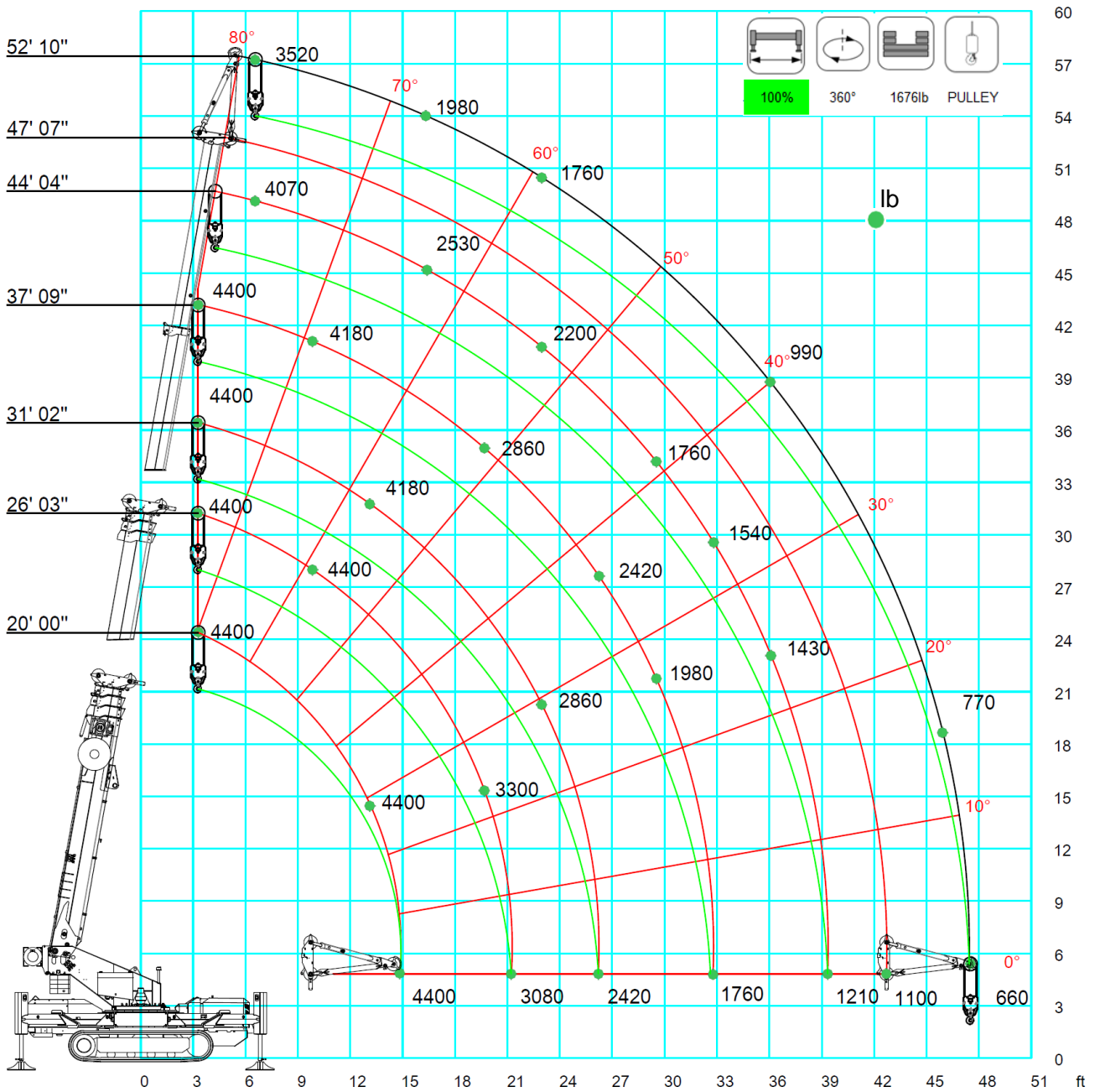
SPX1040CDH-I


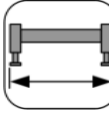
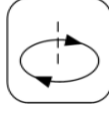
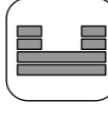




SPX1040CDH-1

SPX1040CDH-1 + JIB3500G

PULLEY MODE


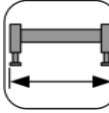
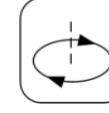
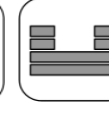
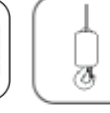



[ft] [lb]							
	JIB3500G	100%	360°	1676 lb	PULLEY		
	20' 00"	26' 03"	31' 02"	37' 09"	44' 03"	47' 07"	52' 10"
3' 03"	4400	4400	4400	4400			
6' 07"	4400	4400	4400	4400	4070	3960	3520
9' 10"	4400	4400	4400	4180	3850	3740	3300
13' 01"	4400	4400	4180	3740	3410	3080	2750
16' 05"		3740	3520	3080	2530	2530	1980
19' 08"		3300	3190	2860	2420	2200	1870
23' 00"			2860	2640	2200	2200	1760
26' 03"			2420	2420	1980	1980	1430
29' 06"				1980	1760	1760	1210
32' 10"				1760	1540	1540	1100
36' 01"					1430	1320	990
39' 04"					1210	1210	880
42' 08"						1100	836
45' 11"							770
47' 07"							660


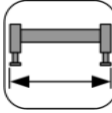
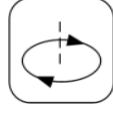
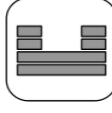

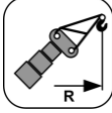
SPX1040.04.02.320.101.16.A

[ft] [lb]					
	JIB3500G	50%	360°	1676 lb	PULLEY
	20' 00"	26' 03"	31' 02"	37' 09"	
3' 03"	4400	4400	3300		
6' 07"	4400	3960	2860	1870	
9' 10"	4400	3520	2530	1650	
13' 01"	4400	2860	2090	1430	
16' 05"		2200	1760	1210	
19' 08"		1980	1650	1100	
23' 00"			1430	990	
26' 03"			1210	880	
29' 06"				770	
32' 10"				660	

SPX1040.04.01320.101.16.A

[m] [kg]							
	JIB3500G	100%	360°	0 lb	PULLEY		
	20' 00"	26' 03"	31' 02"	37' 09"	44' 03"	47' 07"	52' 10"
3' 03"	4400	4400					
6' 07"	4400	4400	4400	3520	3080	3080	2640
9' 10"	4400	4400	4400	3520	2860	2860	2420
13' 01"	4400	4400	3960	3080	2420	2420	1980
16' 05"		3740	3300	2640	2090	2090	1540
19' 08"		2860	2750	2420	1980	1870	1430
23' 00"			2420	2200	1870	1870	1320
26' 03"			1980	1980	1650	1650	1100
29' 06"				1540	1320	1320	770
32' 10"				1320	1100	1100	704
36' 01"					1100	990	660
39' 04"					880	880	594
42' 08"						880	550
45' 11"							506
47' 07"							440

SPX1040.00.01320.2.0116.A

[m] [kg]					
	JIB3500G	50%	360°	0 lb	PULLEY
	20' 00"	26' 03"	31' 02"	37' 09"	
3' 03"	4400	4400	3300		
6' 07"	4400	3960	2860	1870	
9' 10"	4400	3520	2530	1650	
13' 01"	4400	2860	2090	1430	
16' 05"		2200	1760	1210	
19' 08"		1980	1650	1100	
23' 00"			1430	990	
26' 03"			1210	880	
29' 06"				770	
32' 10"				660	

SPX1040.00.01320.101.16.A

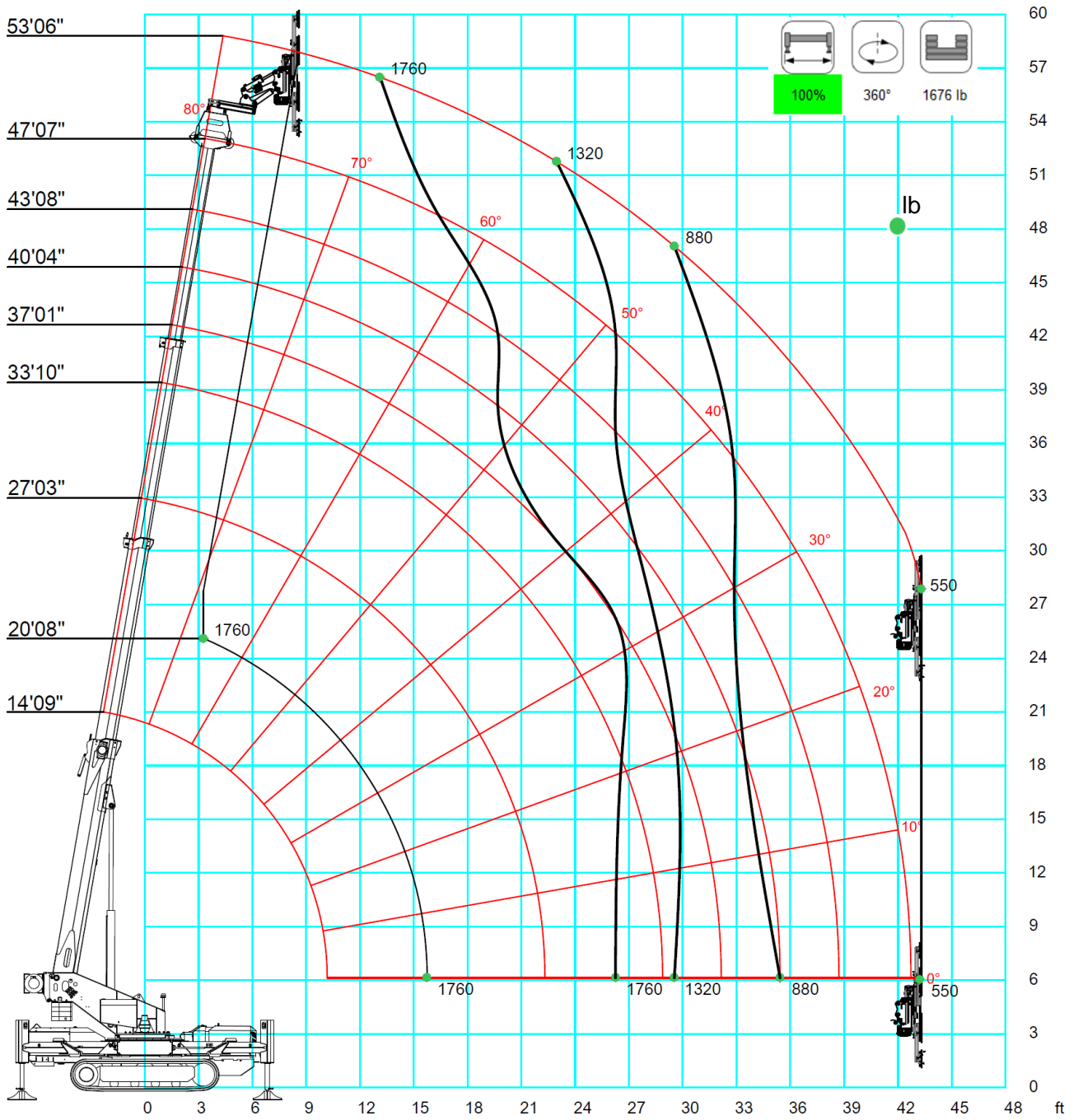


SPX1040CDH-I




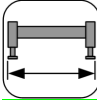
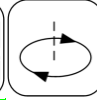
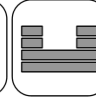

SPX1040CDH-I

SPX1040CDH + MR800.4-6+4P


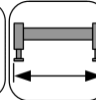
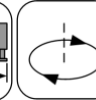
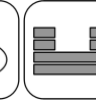
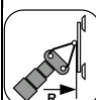




SPX1040CDH-I

[ft] [lb]										
	MR800.4-6+4P	100%	360°	1676lb						
	20' 08"	23' 11"	27' 03"	30' 06"	33' 10"	37' 01"	40' 04"	43' 08"	47' 07"	53' 06"
6' 07"	1760	1760	1760	1760	1760	1760	1760			
9' 10"	1760	1760	1760	1760	1760	1760	1760	1760	1760	1760
13' 01"	1760	1760	1760	1760	1760	1760	1760	1760	1760	1760
16' 05"		1760	1760	1760	1760	1760	1760	1760	1760	1540
19' 08"			1760	1760	1760	1760	1760	1760	1540	1540
23' 00"				1760	1760	1760	1540	1540	1540	1320
26' 03"					1760	1760	1540	1320	1320	1100
29' 06"						1320	1210	1100	1100	880
32' 10"							990	880	880	660
36' 01"								770	660	550
39' 04"									550	550
43' 04"										550

SPX1040.04.02.430.0.02.16.A

[ft] [lb]						
	MR800.4-6+4P	50%	360°	1676lb		
	20' 08"	23' 11"	27' 03"	30' 06"	33' 10"	37' 01"
6' 07"	1760	1760	1760	1760	1430	1210
9' 10"	1760	1760	1760	1760	1100	990
13' 01"	1760	1760	1760	1430	880	770
16' 05"		1760	1540	1100	770	550
19' 08"			1430	990	550	440
23' 00"				770	440	330
26' 03"					330	220
29' 06"						110

SPX1040.04.01430.0.02.16.A

[ft] [lb]				
	MR800.4-6+4P	0%	360°	1676lb
	20' 08"	23' 11"		
6' 07"	440	220		
9' 10"	440	220		
13' 01"	440	220		
16' 05"		220		

SPX1040.04.00.430.0.02.16.A

[ft] [lb]				
	MR800.4-6+4P	4' 07" / 4' 09"	0°-180°	1676lb
	20' 08"	23' 11"	27' 03"	
6' 07"	1760	1540	440	
9' 10"	1760	990	330	
13' 01"	770	550	110	
16' 05"		110		

SPX1040.04.03.430.0.02.16.A

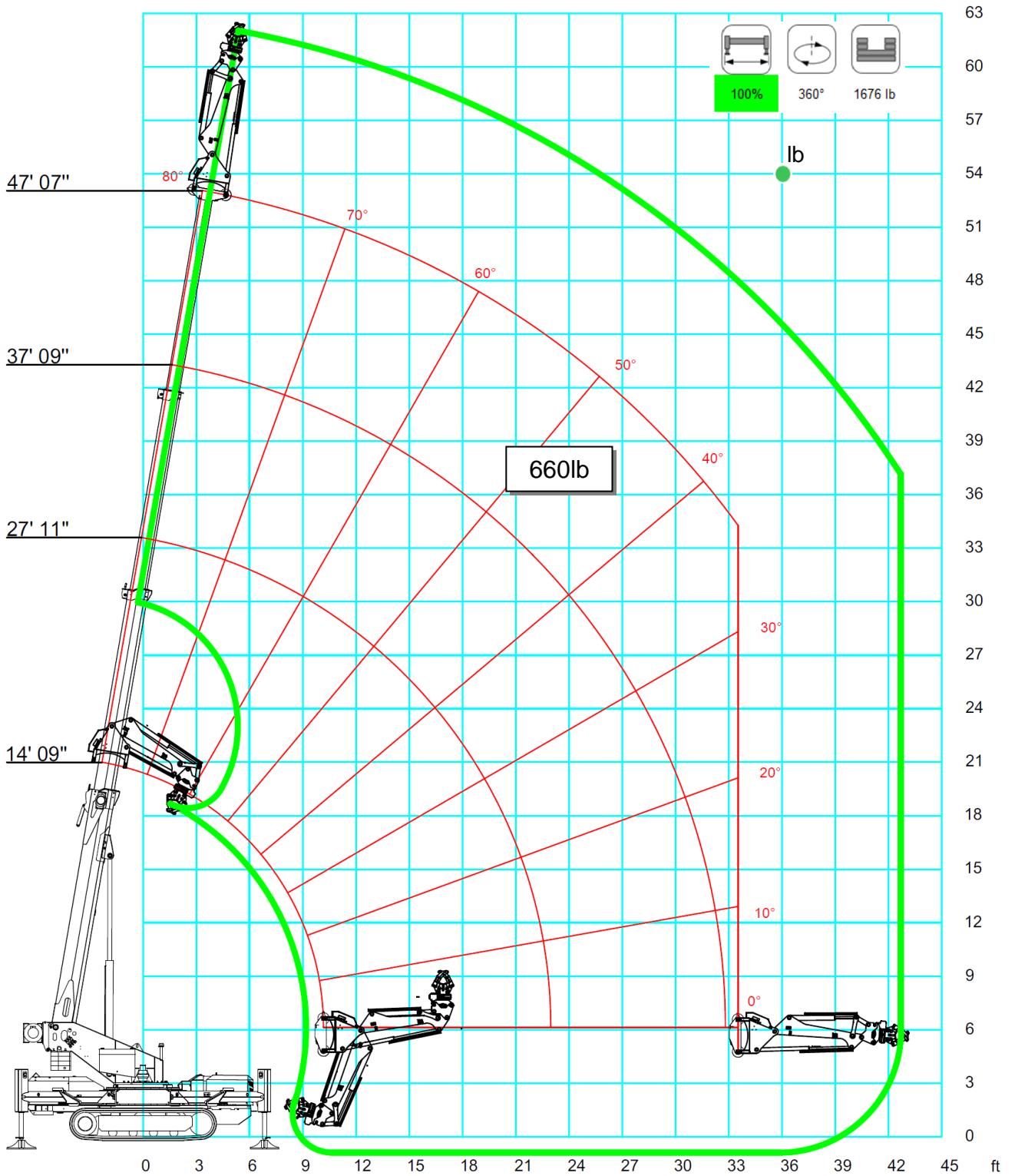


SPX1040CDH-I



SPX1040CDH-I

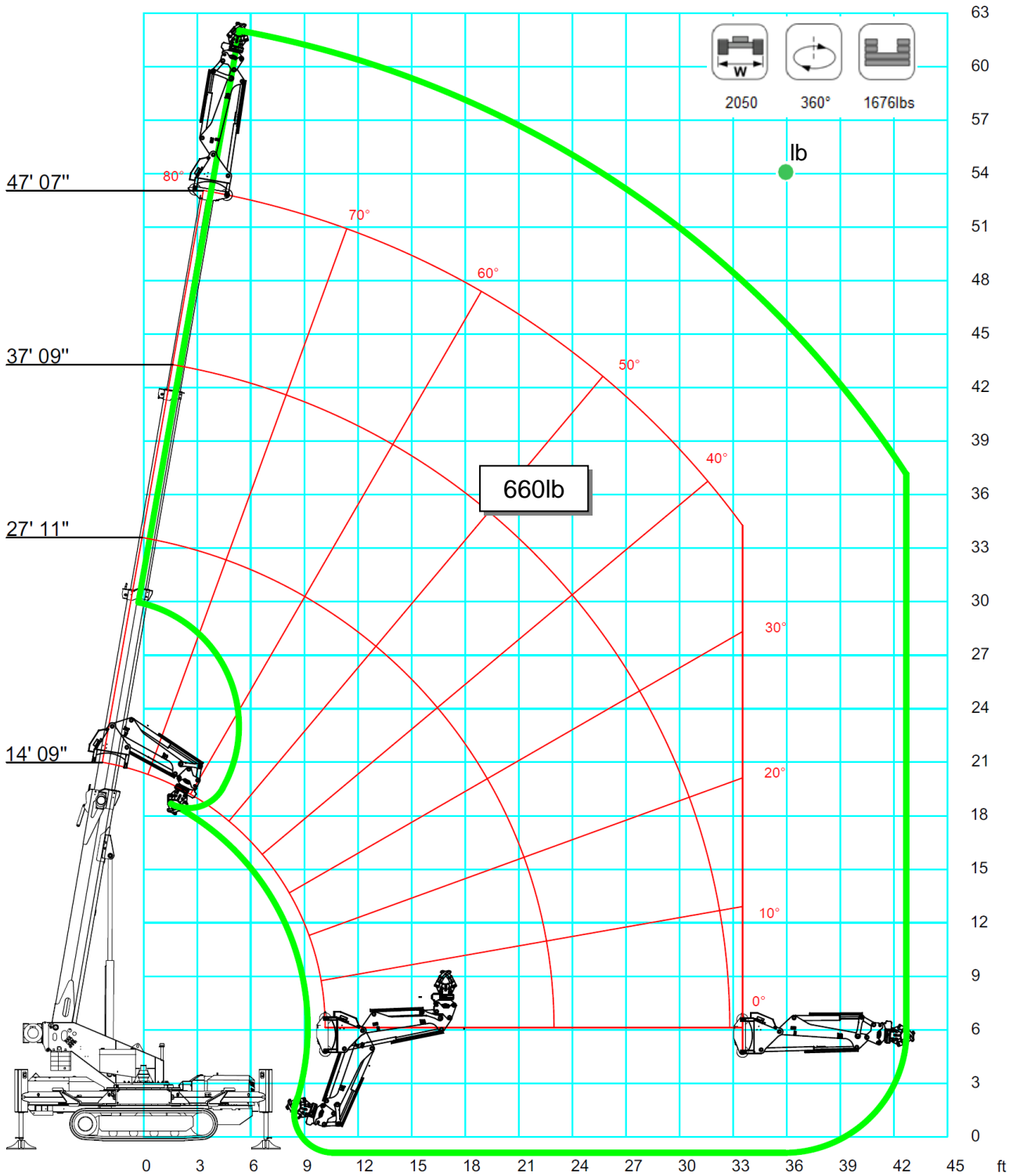
SPX1040CDH + JIB300GR



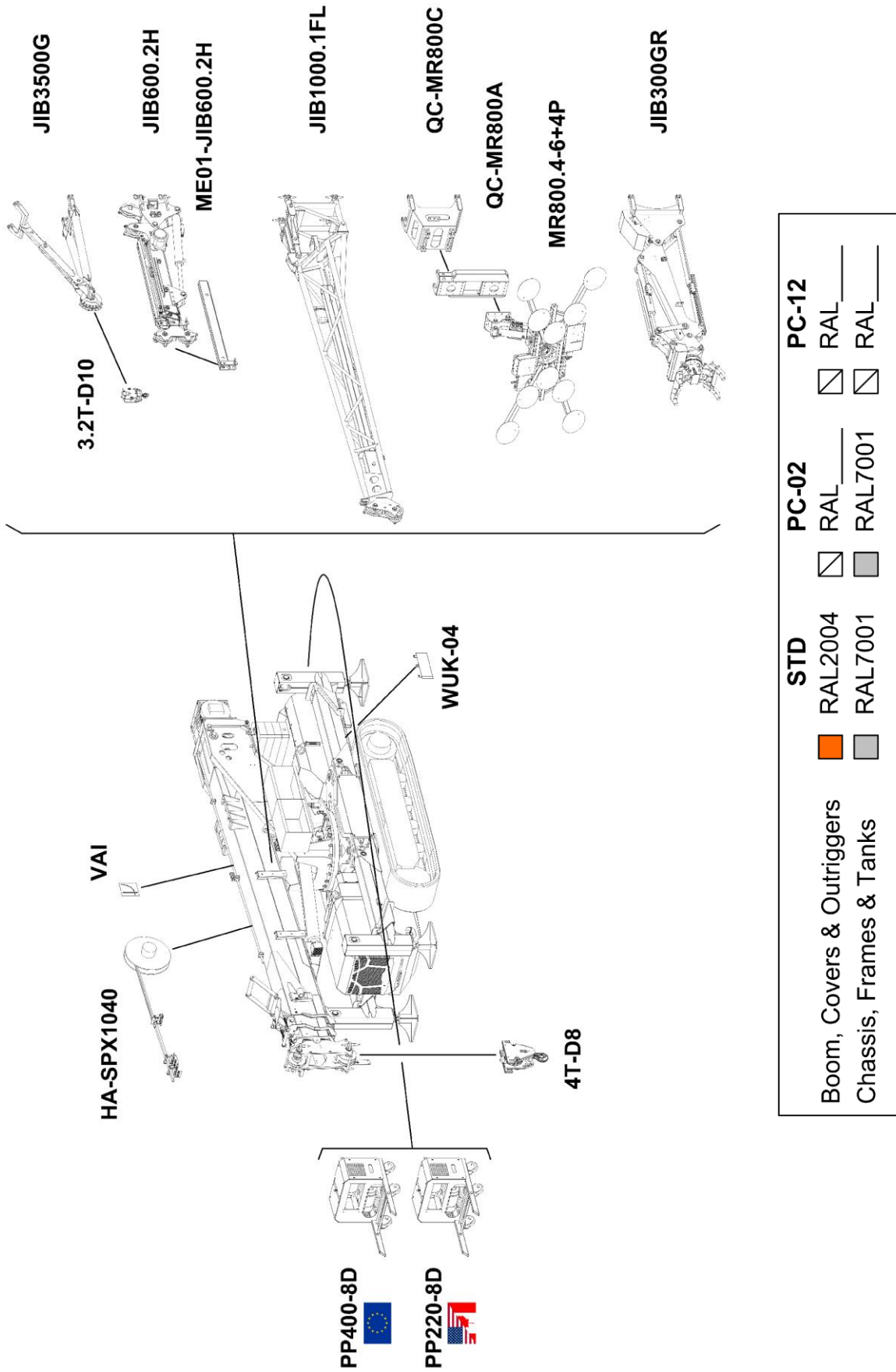


SPX1040CDH-I

SPX1040CDH + JIB300GR



ACCESSORIES

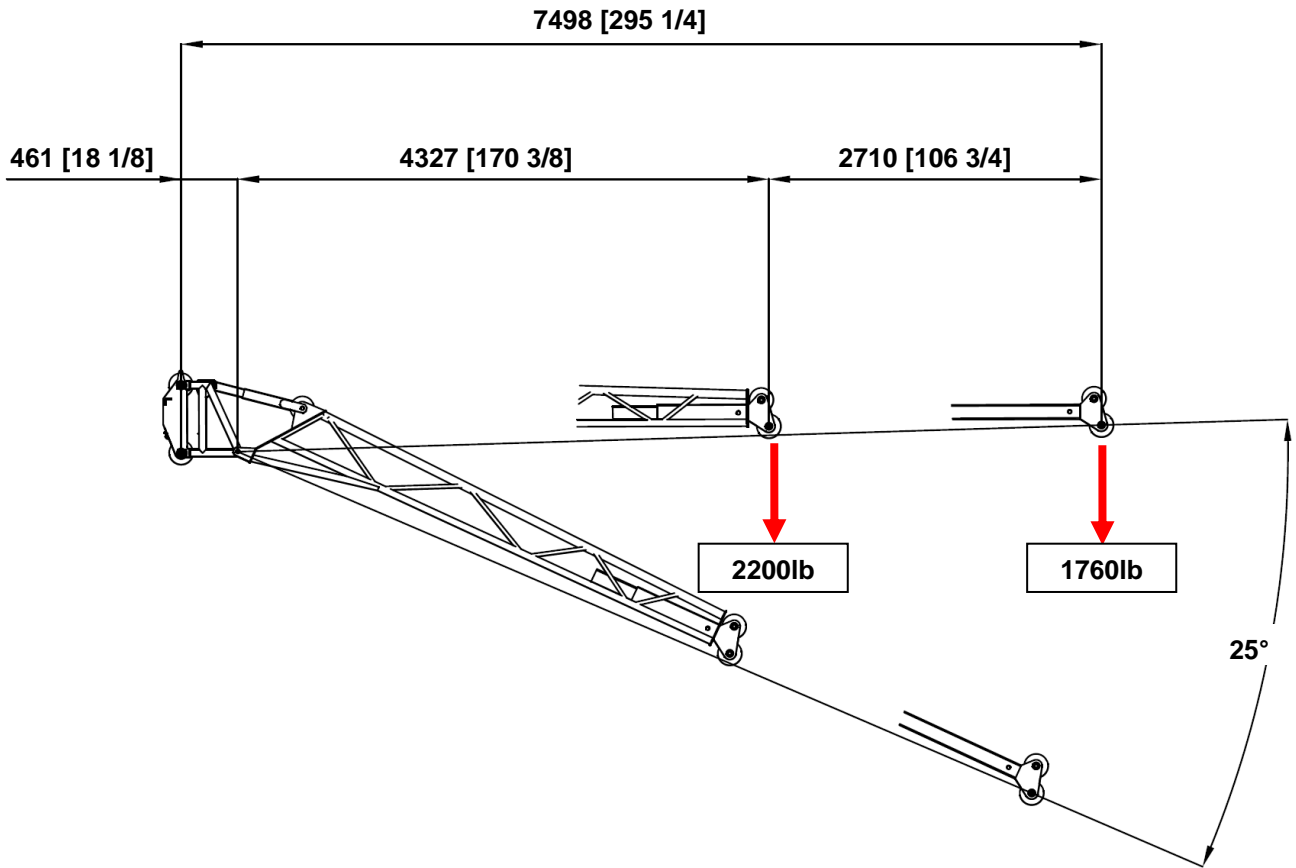



	STD	PC-02	PC-12
Boom, Covers & Outriggers	<input type="checkbox"/> RAL2004	<input type="checkbox"/> RAL_____	<input type="checkbox"/> RAL_____
Chassis, Frames & Tanks	<input type="checkbox"/> RAL7001	<input type="checkbox"/> RAL7001	<input type="checkbox"/> RAL_____



ACCESSORIES FEATURES

JIB1000.1FL



	lb
	580

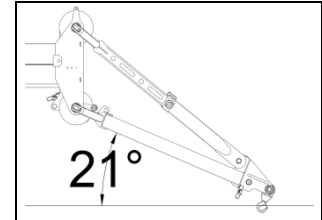
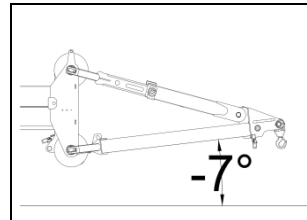
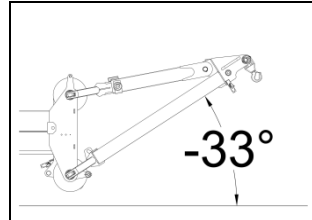
JIB3500G

HOOK (3,5Ton)

Up position
(-33°)

Middle position
(-7°)

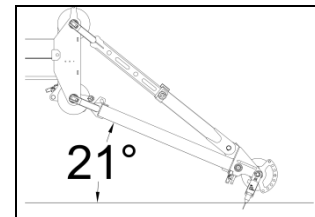
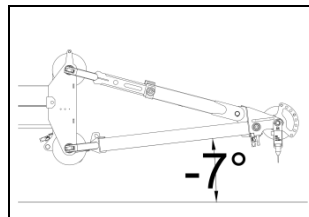
Down position
(21°)



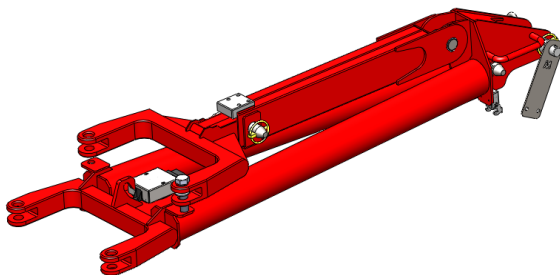
PULLEY (3,0Ton)

Middle position
(-7°)

Down position
(21°)



OUT SERVICE CONFIGURATION

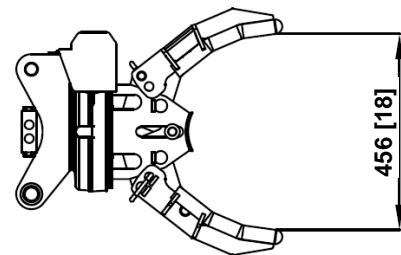
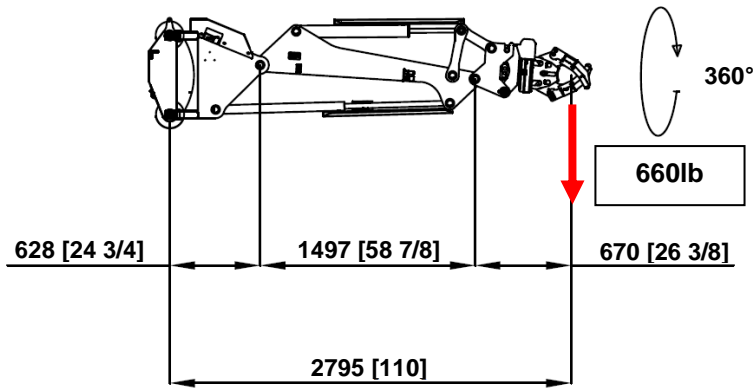
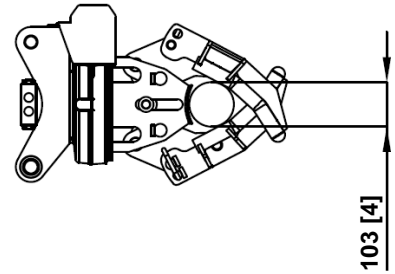
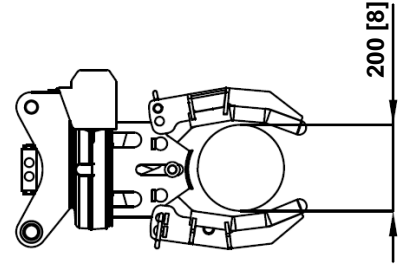
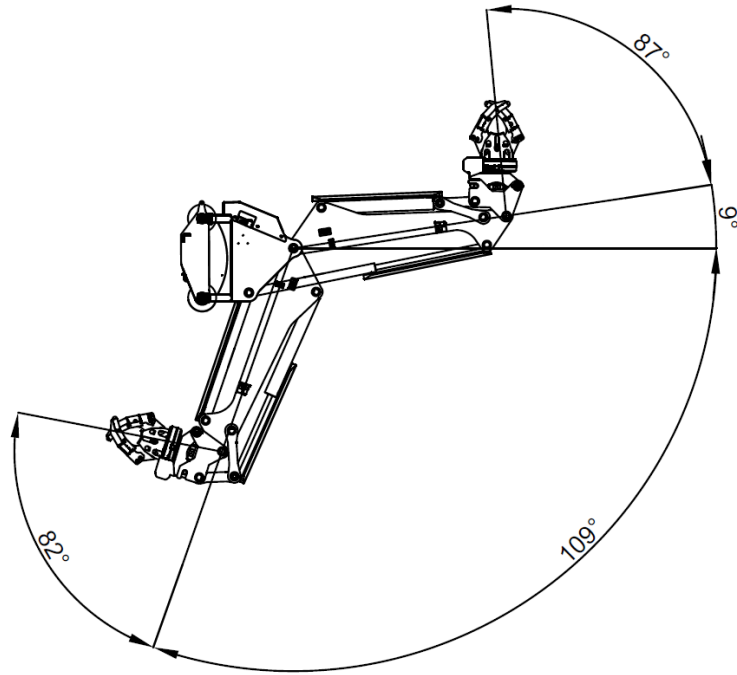


	lb
	155



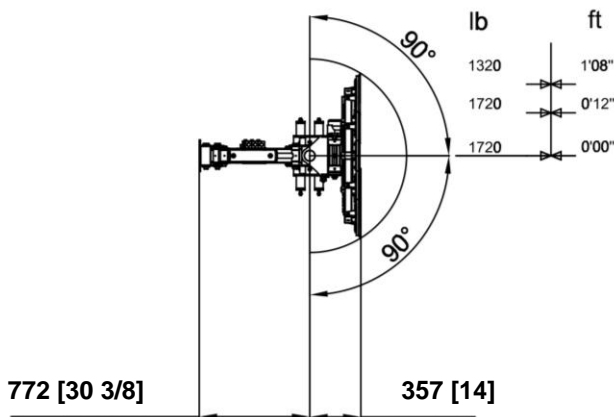
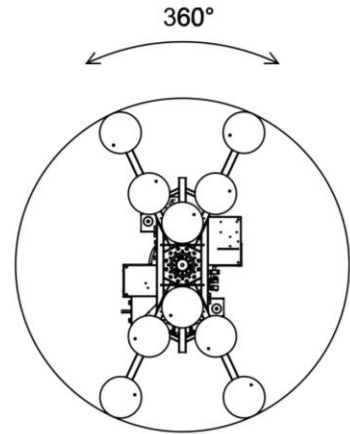
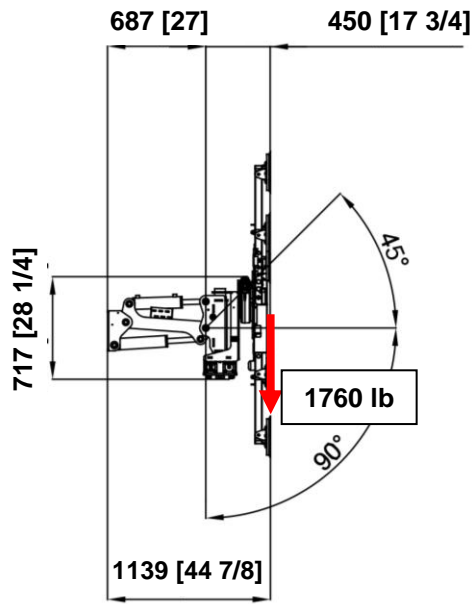
SPX1040CDH-I

JIB300GR



	lb
	540

MR800.4-6+4P



	6	10	n°
	1188	1760	lb
	594	880	lb

	lb
	650

SYMBOLS

	Weight		Chart Wheels		Engine		Jib length and angle
	Counterweight		Minipicker		Diesel Fuel		Jib Length
	Crane		Back Wheel Point Loading		Gasoline Fuel		Jib Radius
	Travel Speed		Front wheel Point Loading		Tank		Hydraulic Jib Length
	Gradeability		Travel Speed		Battery		Hydraulic Jib Radius
	Outrigger Load		Gradeability		Power		Mechanical Jib Length
	Track Loading		Working Radius		Boom Angle		Mechanical Jib Radius
	Outriggers Setup		Hookblock		Boom Length		Manipulator Length
	Ext Tracks Width		Slewing		Boom Radius		Manipulator Radius
	Chart On Tracks		Slewing Locked		Jib Hook Radius		Maximum inclination of the machinery
	Jib on board		Without jib on board		Stabilizing bar		Horizontal boom angle
	Number of vacuum pads		Factory max. load		Building site max. load		

Remarks referring to load chart

- For the calculation of the load charts at least a wind speed of 30 ft/s (20 mph) and regarding the load a sail area of 1m² (1,2 yd²) per metric ton (2205 lb) load and a wind resistance coefficient of 1.2 on the load have been taken into account. For lifting of loads with large sail areas and/or high wind resistance coefficients the maximum wind speed as stated in the load charts has to be reduced.
- Lifting capacities are given in pounds.
- The weight of the hook blocks and hooks is part of the load and therefore it must be deducted from the lifting capacities.
- Working radii are measured from the slewing centre.
- The lifting capacities given for the telescopic boom apply if the folding jib is removed.
- Subject to modification of lifting capacities.

A large, empty rectangular box with a thin black border, intended for handwritten notes.

A large, empty rectangular box with a thin black border, occupying the central portion of the page, intended for handwritten notes.



DEALER



JEKKO S.r.l. via Campardone, 1 Z.I. 31014 Colle Umberto (TV)
Italy tel. +39 0438 1710083 fax +39 0438 1710123
www.jekko.it - info@jekko.it