



Technical Data

Specification & Capacities

SPX312

S.N: _____



CP: 7,6kW/10,4Hp



C+: 4,0kW/5,5Hp



7'02" – 24'11"



2640lb



B30.5

[ft] [lb]



SPX312

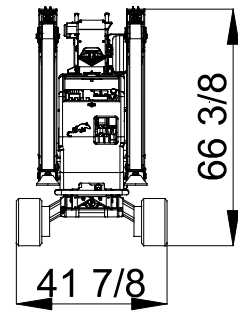
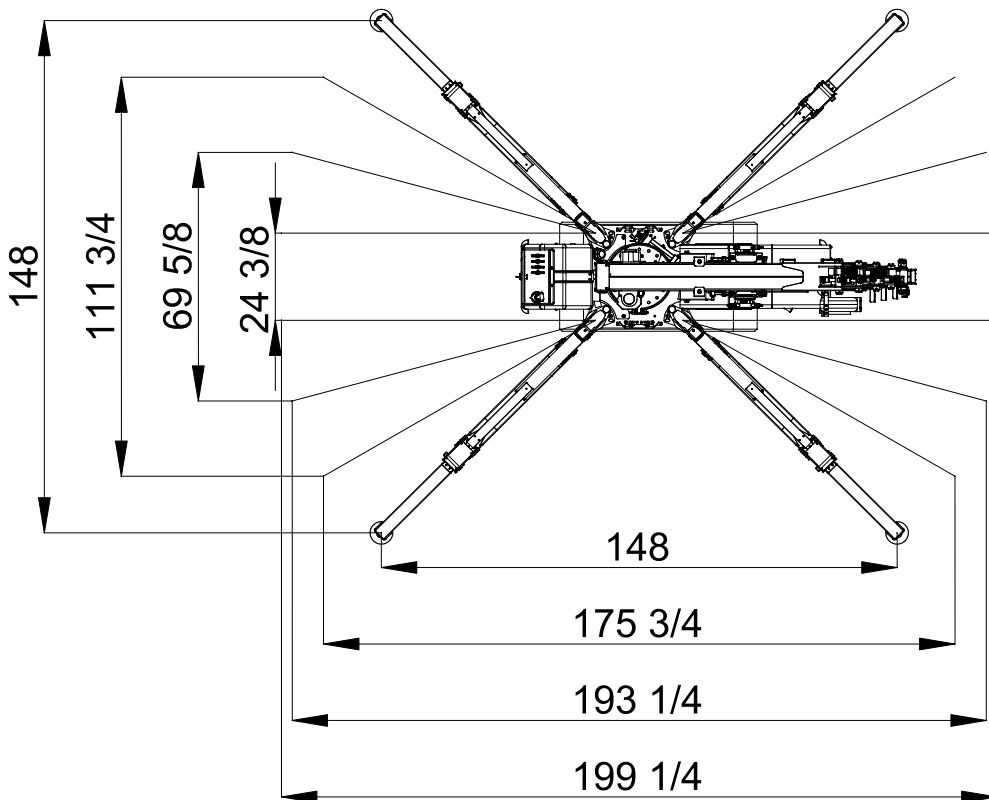
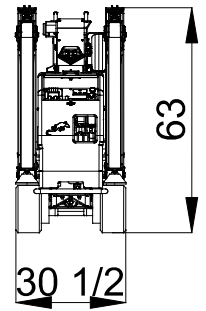
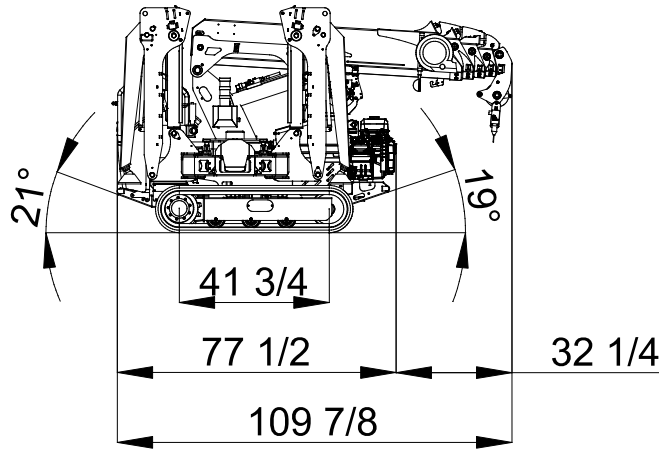


Via Campardone, 1
31014 Colle Umberto – Italy
Tel. +39 0438 1710083
Mail: info@jekko.it
Web: www.jekko.it

Date	Apr. 10 th 2018
REV.	20

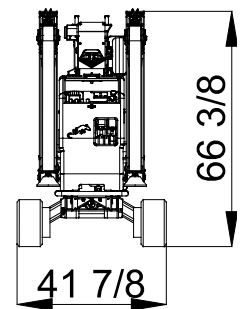
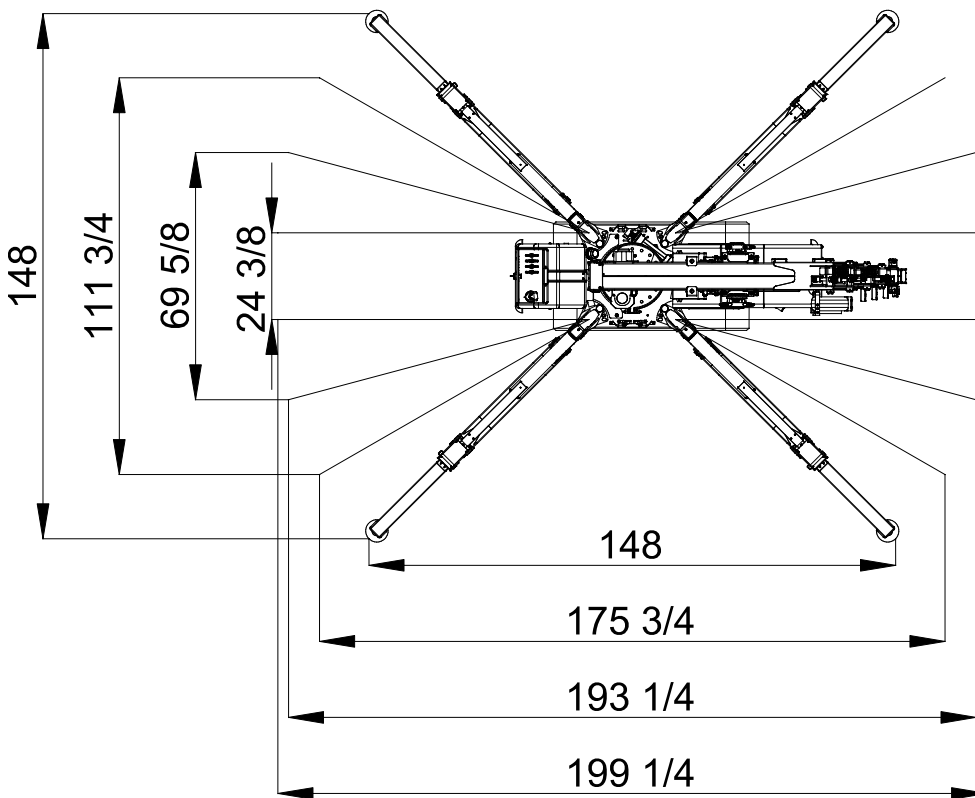
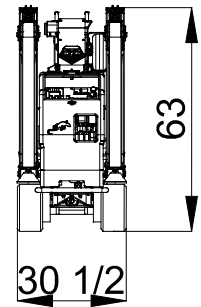
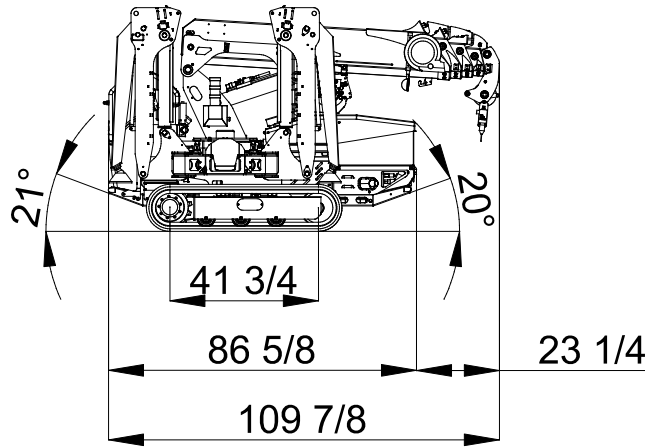
SPX312 - OVERALL DIMENSIONS

SPX312CP / SPX312HCP



SPX312 - OVERALL DIMENSIONS

SPX312C+ / SPX312HC+



		Name / version	lb ¹
			CP, C+
	-	0	
	SINGLE FALL	59	
	MULTIPLE FALL	44	
	POWERPACK	99	
	800GX	55	
	400.1MX	128	
	400.1HX	187	
	MV600	440	
	HA-SPX312 ²	77	
	OM300	37	
	WUK-01	3,3	

WEIGHTS

- 1: Dry weight
- 2: For HCP and HC+ only
- 3: Engine working limit
- 4: Static lifting

ENGINE		YAMAHA MZ360	
	kW	7,6kW 10,4Hp	
		PETROL	
		gal	1,8
ELECTRIC		24V 240Ah	
	kW	24V-3F 4,0kW 5,5HP	
HYDRAULIC		ISO 6743-4:HFDU with VG46 viscosity class	
		Working temp	<158°F
		gal	5,3
MOVEMENTS		mph	CP: 1,06 C+: 0,53
		20° (36%) ³	
		lb/in ²	6,25
		lb	4070 ⁴
		0°/75°	
		s	24
		330°	
		rpm	1,0
		m	7'03" - 24' 11"
		s	40

HOIST PERFORMANCE	Winch	Layer	Max line pull	Standard rope speed	Highest rope speed
			lb	ft/min	ft/min
		1	1632 ¹	40.0	84.3
		2	1518 ¹	43.6	91.9
		3	1404 ¹	45.9	96.8
	4	1320	49.5	104.3	
	Rope	Wire rope	Ø	Total lenght	Max load
			in	ft	lb
		A4L 19x7 right lang lay	9/32	206.7	7920
	Hook block	Load	N° of		Block type
lb		Sheaves	Lines		
2640		1	2	Multiple fall block	
1320		-	1	Single fall block	

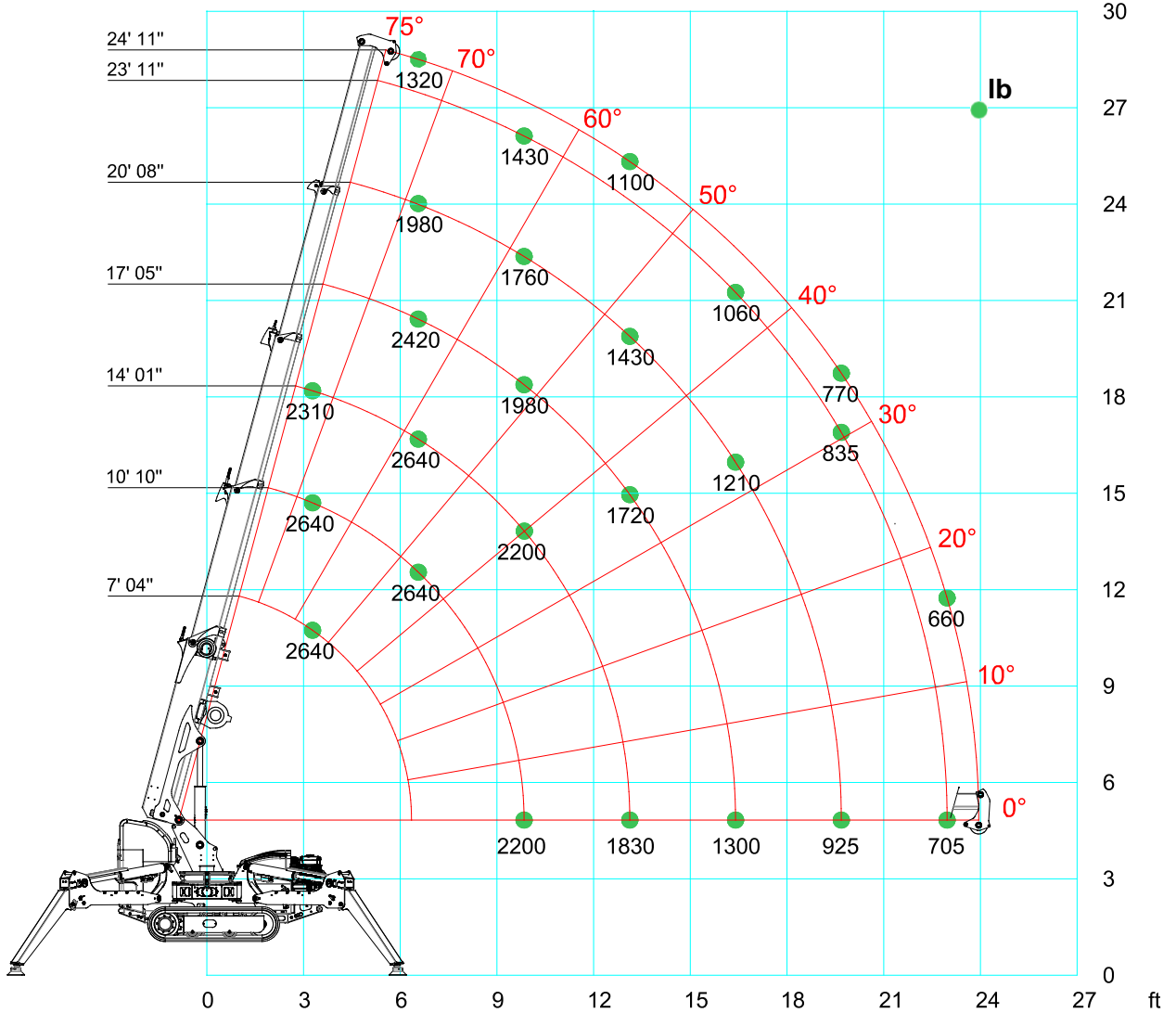
¹:LMI limited at 1320 lb


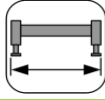
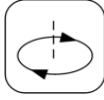

SPX312 MAIN BOOM

100%

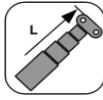
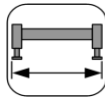
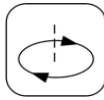

330°

0 lbs



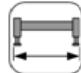
[ft] [lb]											
	MAIN BOOM	100%	330°	0 lb	7' 03"	10' 10"	14' 01"	17' 05"	20' 08"	23' 11"	24' 11"
3' 03"	2640	2640	2310								
6' 07"		2640	2640	2420	1980	1430	1320				
9' 10"		2200	2200	1980	1760	1430	1320				
13' 01"			1826	1716	1430	1210	1100				
16' 05"				1298	1210	1056	880				
19' 08"					924	836	770				
23' 00"						704	660				
23' 11"											660

LC312_V400_0316_BP_FUNE_STAB_100


[ft] [lb]											
	MAIN BOOM	50%	330°	0 lb	7' 03"	10' 10"	14' 01"	17' 05"	20' 08"	23' 11"	24' 11"
3' 03"	2640	2640	2310								
6' 07"		2310	2310	2090	1760	1210	1100				
9' 10"		1980	1980	1760	1584	1210	1100				
13' 01"			1144	1078	858	726	660				
16' 05"				748	704	594	484				
19' 08"					550	484	440				
23' 00"						396	396				
23' 11"											330

LC312_V400_0316_BP_FUNE_STAB_50


SPX312 + JIB800GX



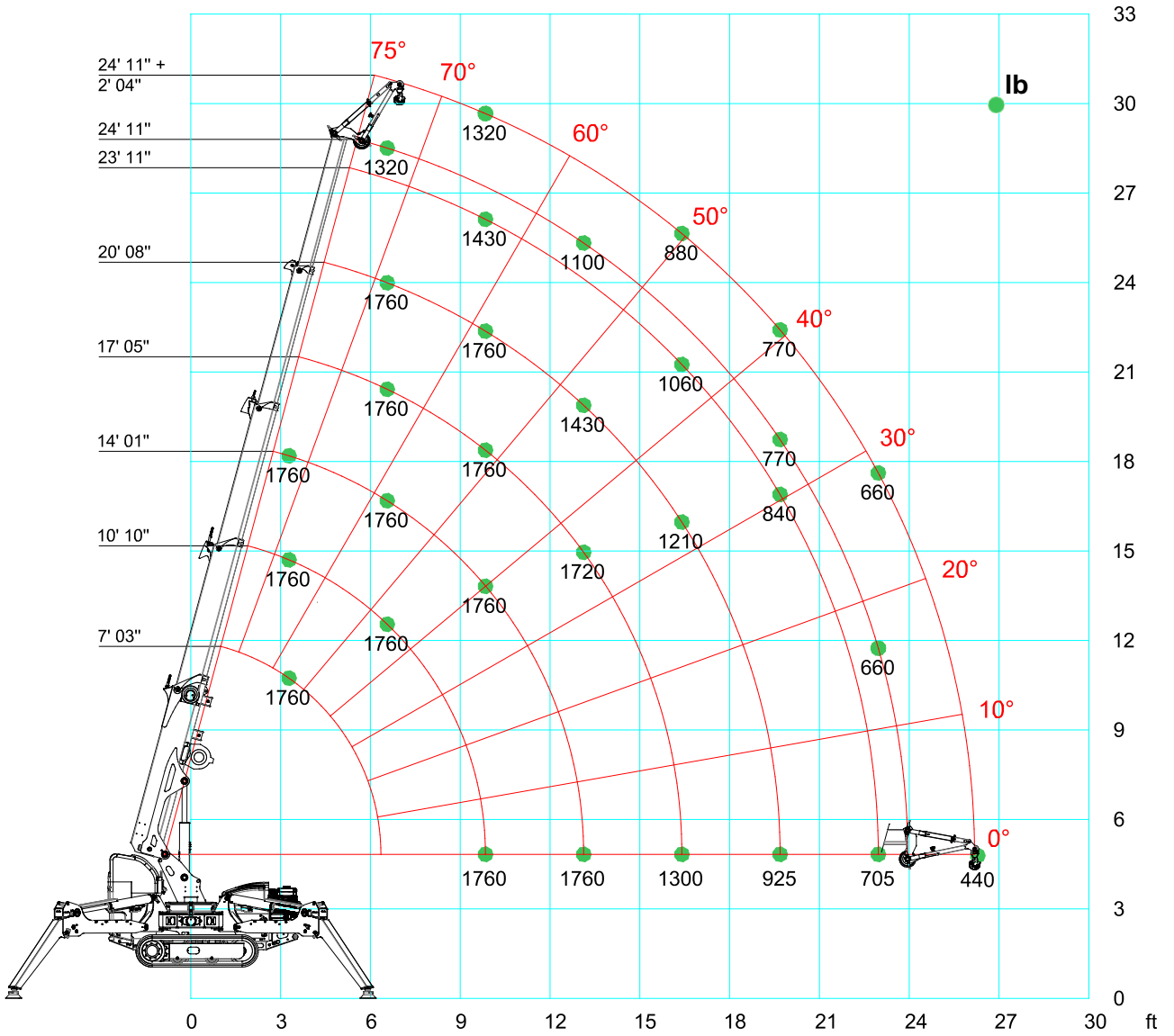
100%


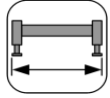
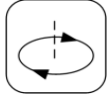
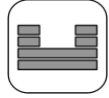


330°


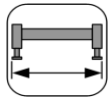
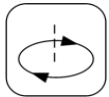



0 lbs




[ft] \ [lb]							
	JIB800GX	100%	330°	0 lb			
	7' 03"	10' 10"	14' 01"	17' 05"	20' 08"	23' 11"	24' 11"
3' 03"	1760	1760	1760				
6' 07"		1760	1760	1760	1760	1430	1320
9' 10"		1760	1760	1760	1760	1430	1320
13' 01"			1760	1716	1430	1210	1100
16' 05"				1298	1210	1056	880
19' 08"					924	836	770
23' 00"						704	660
26' 03"							440


LC312_V400_0316_RUNNER_GANCIO_STAB_100


[ft] \ [lb]							
	JIB800GX	50%	330°	0 lb			
	9' 06"	10' 10"	14' 01"	17' 05"	20' 08"	23' 11"	27' 03"
3' 03"	1760	1760	1760				
6' 07"		1760	1760	1760	1760	1210	1100
9' 10"		1760	1760	1760	1584	1210	1100
13' 01"			1144	1078	858	726	660
16' 05"				748	704	594	484
19' 08"					550	484	440
23' 00"						396	396
26' 03"							220

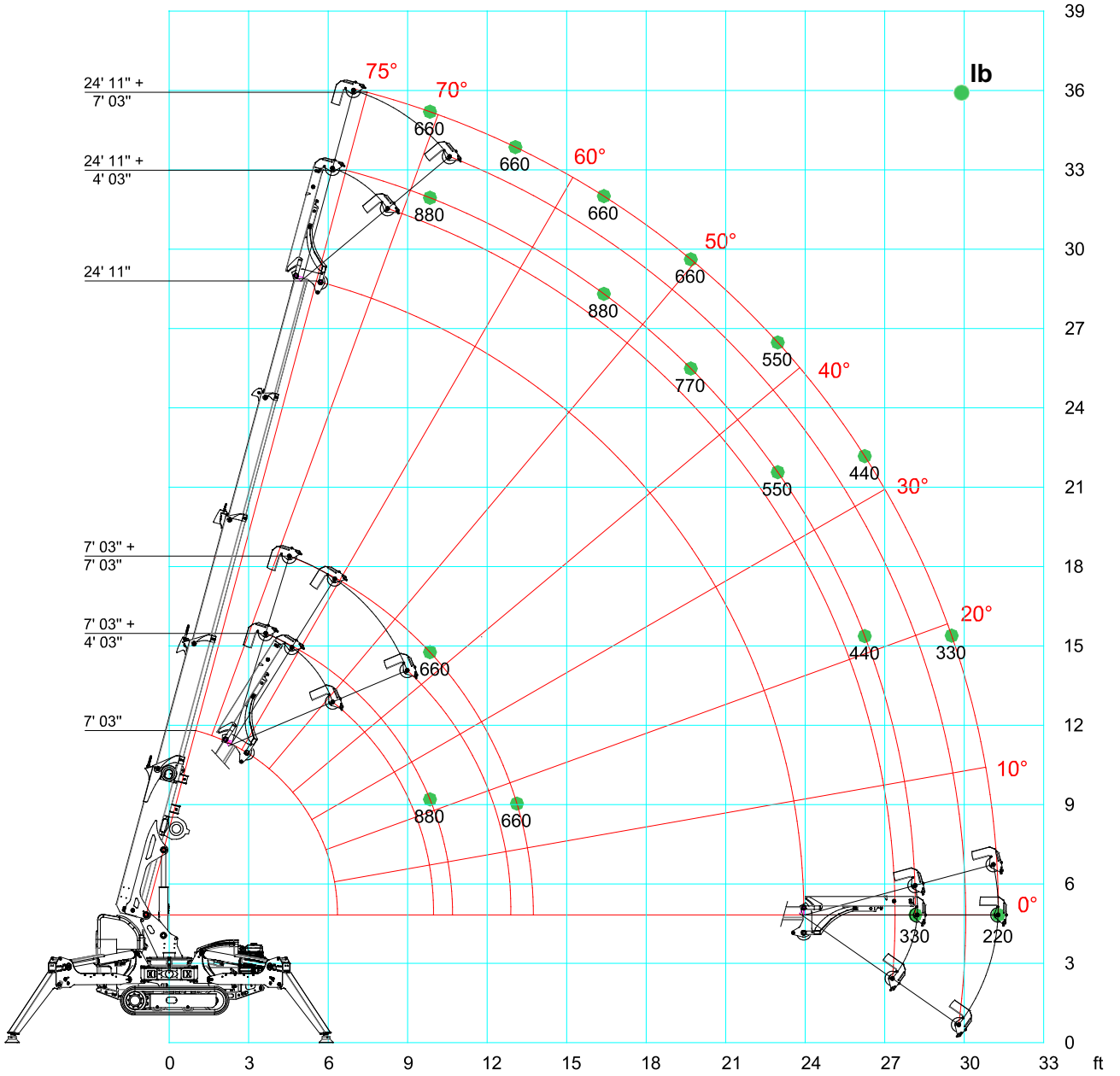
LC312_V400_0316_RUNNER_GANCIO_STAB_50

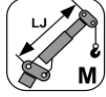
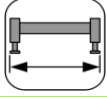
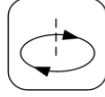
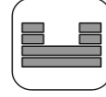
SPX312 + JIB400.1MX


100%

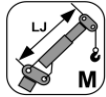
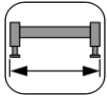
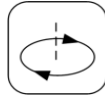
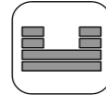

330°


0 lbs



[ft] / [lb]				
	JIB400.1MX	100%	330°	0 lb
	4' 03"	7' 03"		
6' 07"	880	660		
9' 10"		660		
13' 01"		660		
16' 05"				
19' 08"				
23' 00"				
26' 03"				
28' 03"				
31' 06"				

LC312_V400_0316_RUNNER_GANCIO_STAB_100

[ft] / [lb]				
	JIB400.1MX	50%	330°	0 lb
	4' 03"	7' 03"		
6' 07"	880	660		
9' 10"	880	660		
13' 01"	880	660		
16' 05"	660	550		
19' 08"	440	440		
23' 00"	220	220		

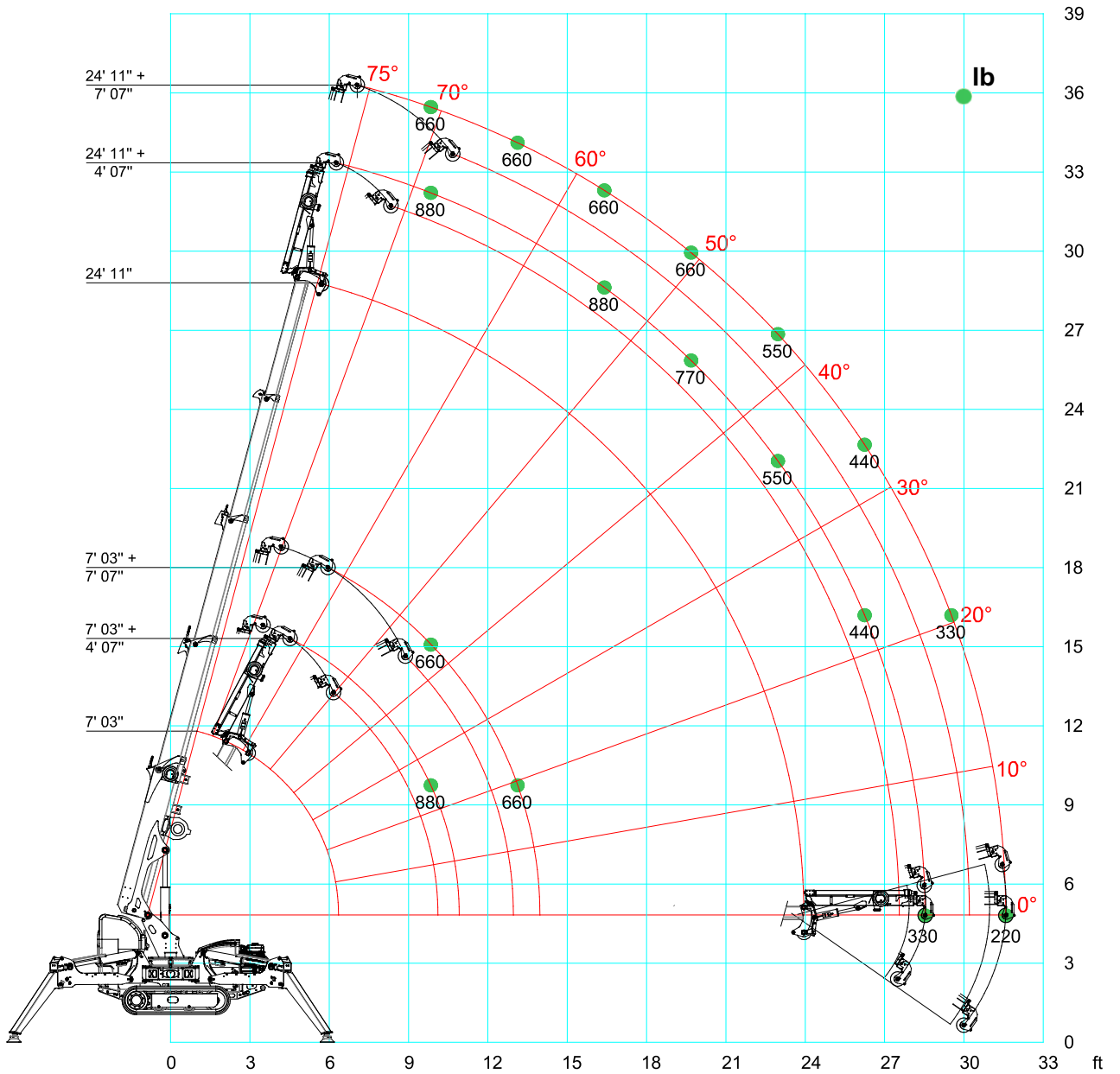
LC312_V400_0316_RUNNER_GANCIO_STAB_50

SPX312 + JIB400.1HX*

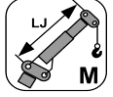
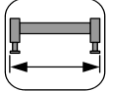
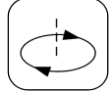
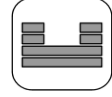
100%

330°

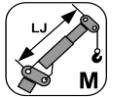
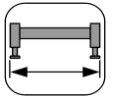
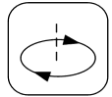
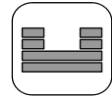
0 lbs



***SPX312HCP and SPX312HC+ ONLY**

[ft] / [lb]				
	JIB400.1HX	100%	330°	0 lb
	4' 07"	7' 07"		
6' 07"	880	660		
9' 10"		660		
13' 01"		660		
16' 05"				
19' 08"				
23' 00"				
26' 03"				
28' 03"				
31' 06"				

LC312_V405_0318_JIB_IDR_FUNE_STAB_100

[ft] / [lb]				
	JIB400.1HX	50%	330°	0 lb
	4' 07"	7' 07"		
6' 07"	880	660		
9' 10"	880	660		
13' 01"	880	660		
16' 05"	660	550		
19' 08"	440	440		
23' 00"	220	220		

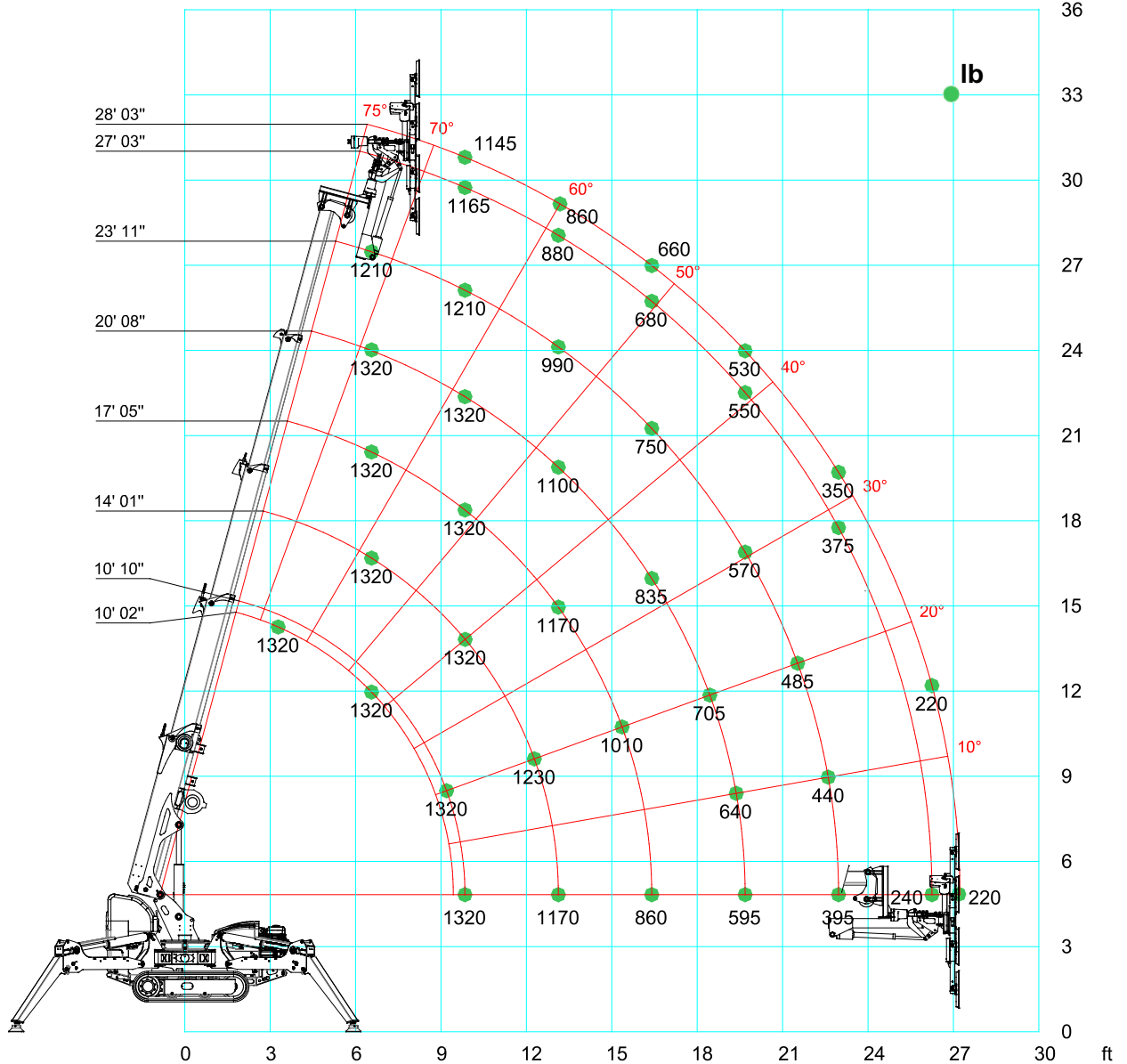
LC312_V405_0318_JIB_IDR_FUNE_STAB_50


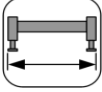
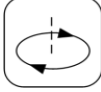
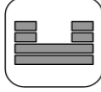
SPX312 + MV600.3E+

100%


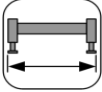
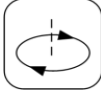
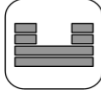
330°

0 lbs



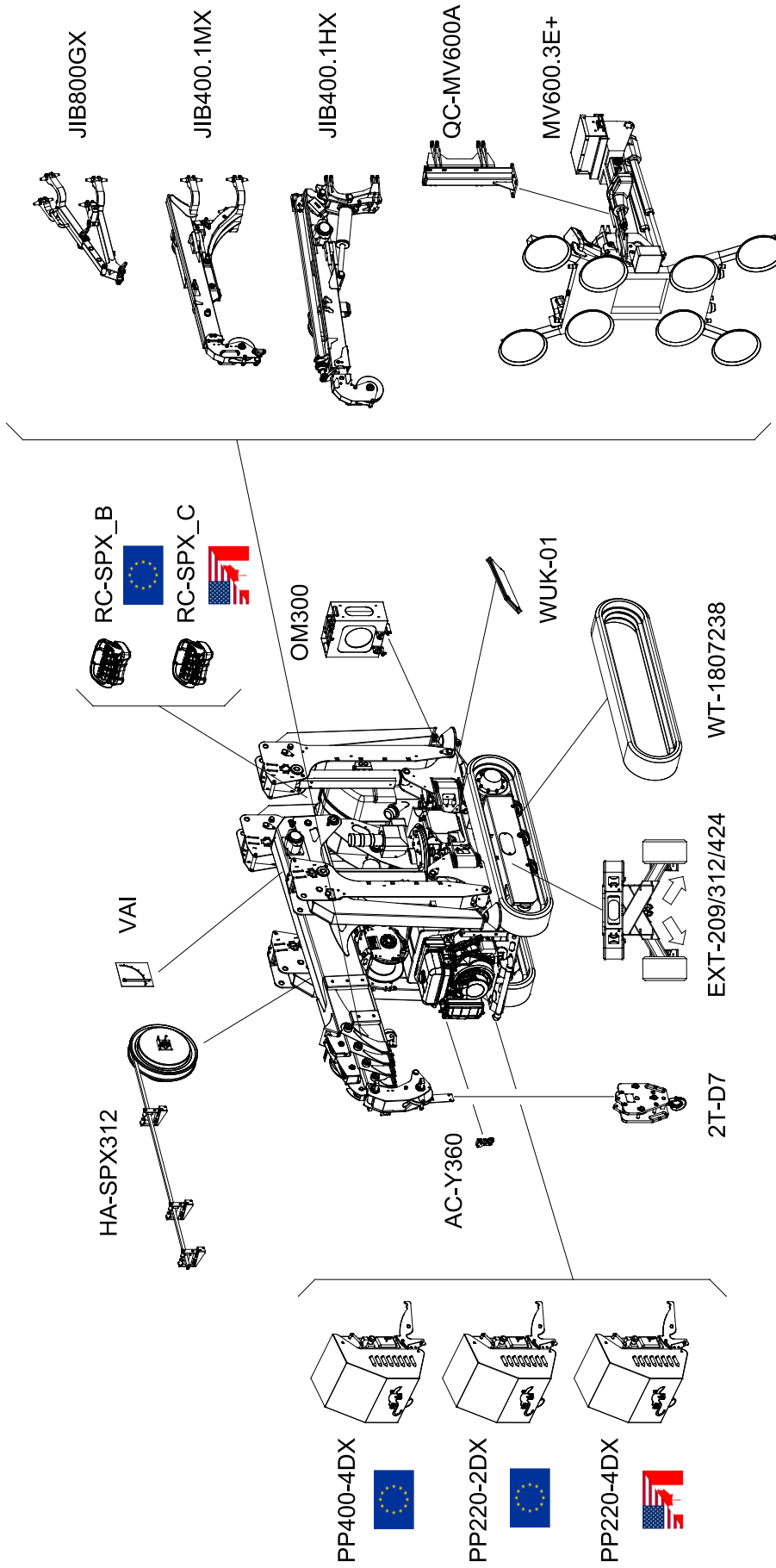
[ft] \ [lb]	 MV600.3E+	 100%	 330°	 0 lb				
	10' 02"	10' 10"	14' 01"	17' 05"	20' 08"	23' 11"	27' 03"	28' 03"
3' 03"	1320	1320	1320					
6' 07"	1320	1320	1320	1320	1320	1210		
9' 10"		1320	1320	1320	1320	1210	1166	1144
13' 01"			1166	1166	1100	990	880	858
16' 05"				858	836	748	682	660
19' 08"					594	572	550	528
23' 00"						396	374	352
26' 03"							242	220
27' 03"								220

LC312_V400_0316_MANIP_STAB_100

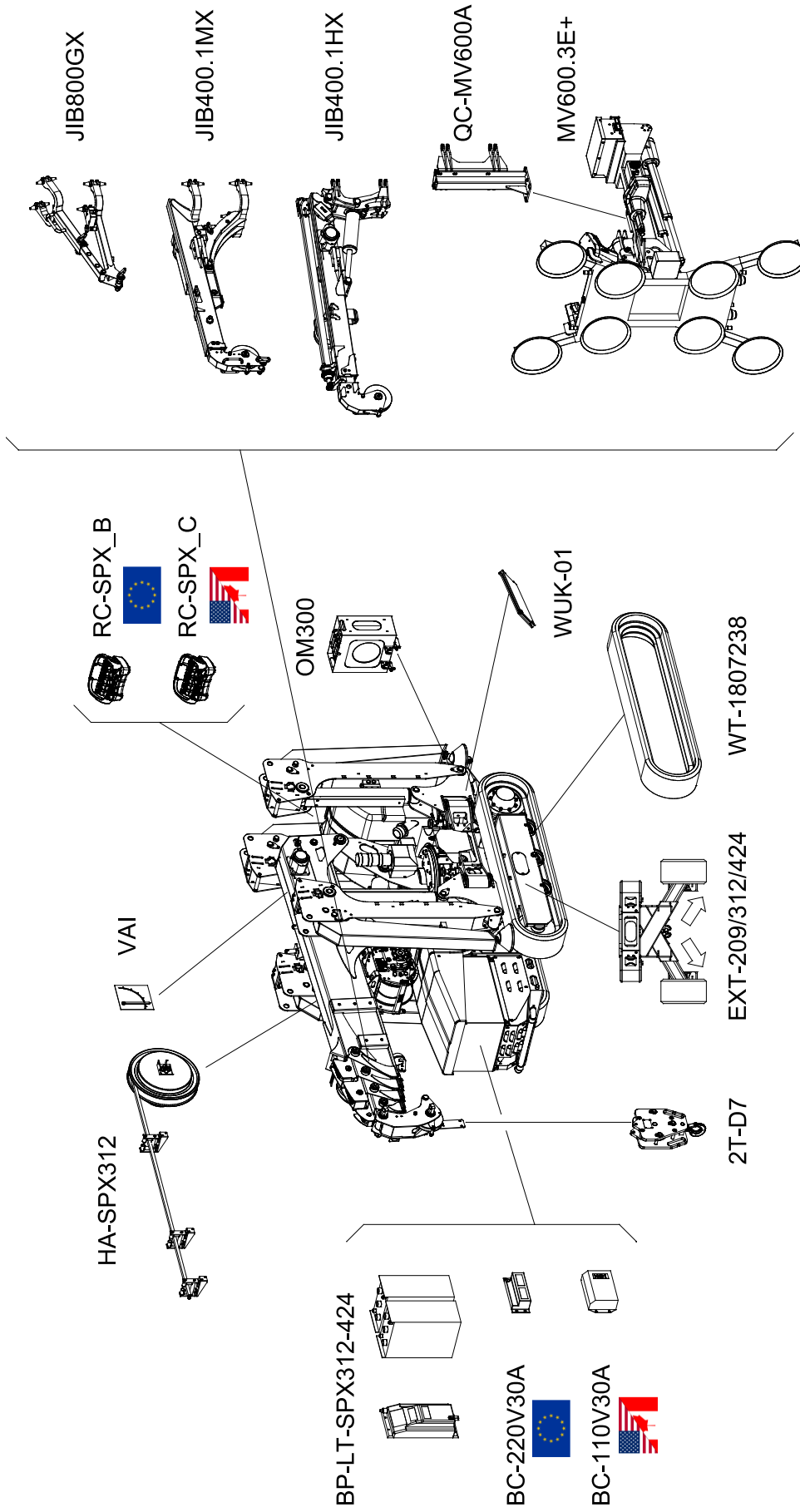
[ft] \ [lb]	 MV600.3E+	 50%	 330°	 0 lb				
	9' 06"	10' 10"	14' 01"	17' 05"	20' 08"	23' 11"	27' 03"	28' 03"
3' 03"	1320	1320	1320					
6' 07"	1320	1320	1320	1320	1100	880		
9' 10"		1320	1100	990	924	880	836	792
13' 01"			660	616	528	440	396	308
16' 05"				330	308	264	220	176

LC312_V400_0316_MANIP_STAB_50

ACCESSORIES



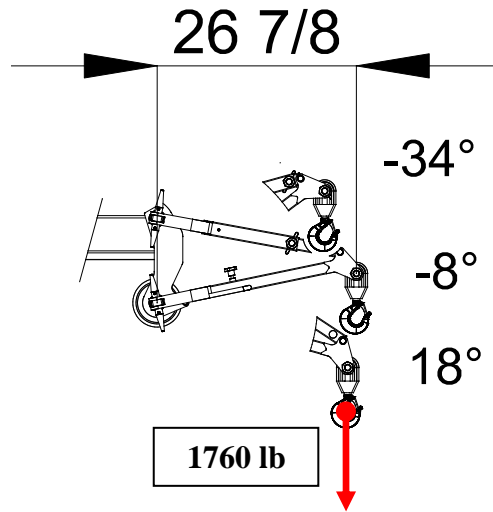
	STD	PC-01	PC-11
Boom, covers and outriggers	RAL2004	RAL____	RAL____
Chassis, frames and tanks	RAL7021	RAL7021	RAL____



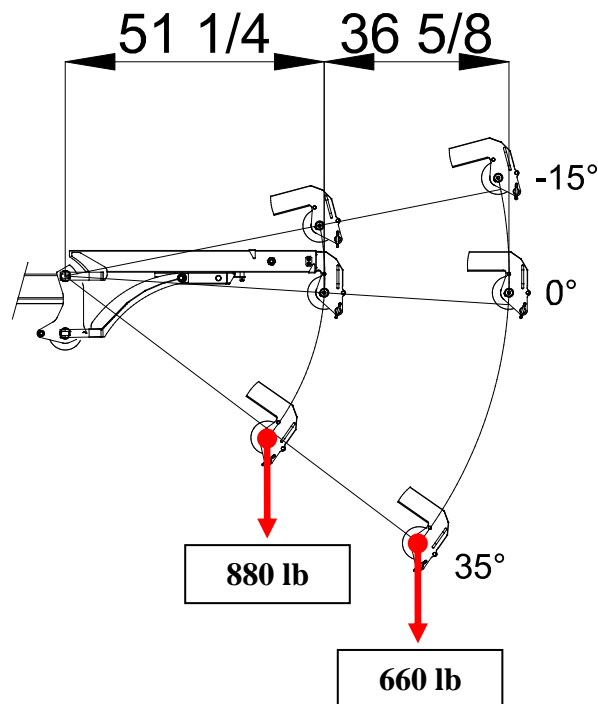
	STD	PC-01	PC-11
Boom, covers and outriggers	RAL2004	RAL____	RAL____
Chassis, frames and tanks	RAL7021	RAL7021	RAL____

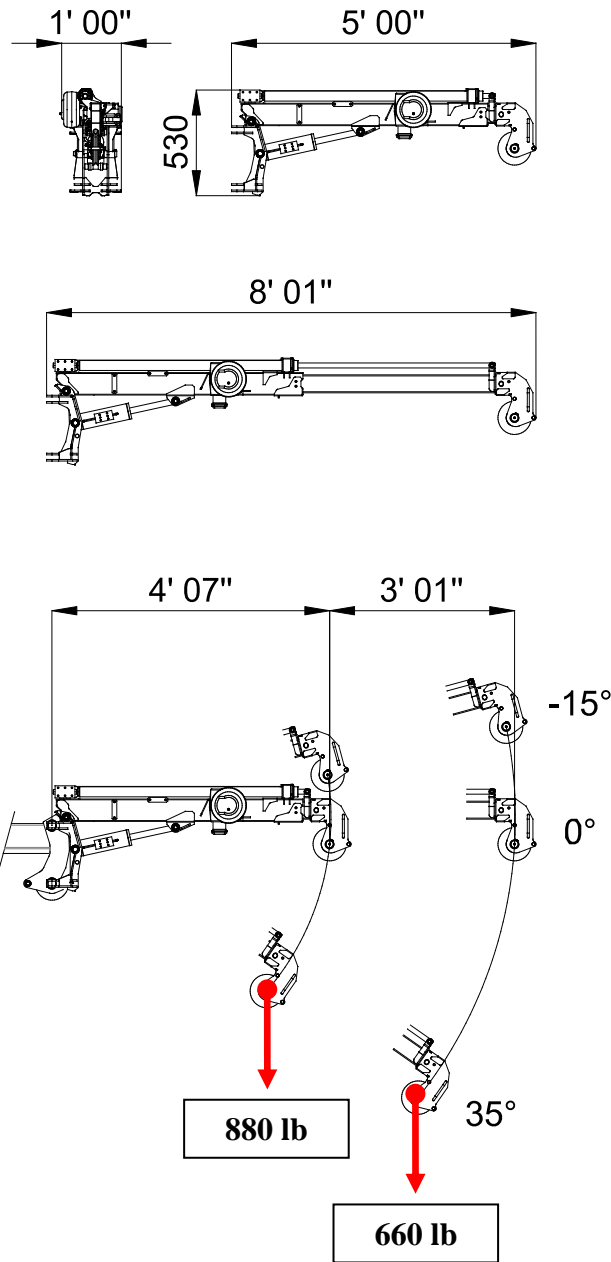
ACCESSORIES FEATURES

JIB800GX



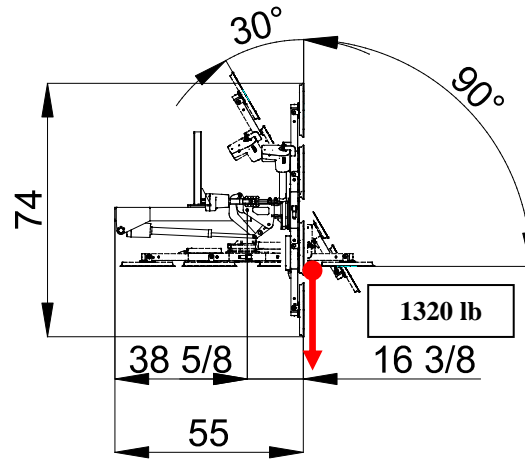
JIB400.1MX



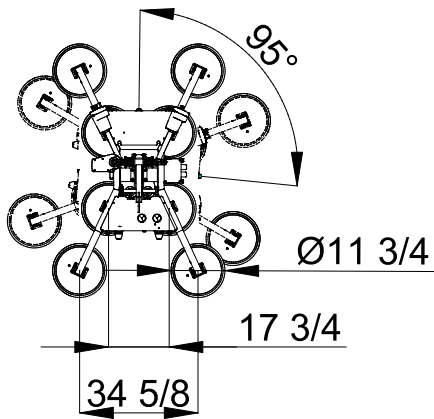
JIB400.1HX

MV600.3E+

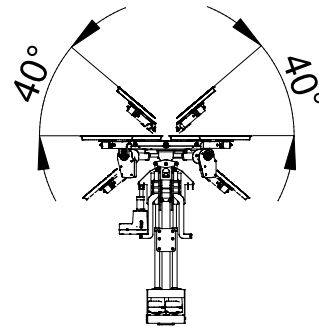
Tilt



Rotation



Swing



	6	10	n°
	660	1320	lb
	330	660	lb

SYMBOLS

	Weight		Chart Wheels		Engine		Jib length and angle
	Counterweight		Minipicker		Diesel Fuel		Jib Length
	Crane		Back Wheel Point Loading		Gasoline Fuel		Jib Radius
	Travel Speed		Front wheel Point Loading		Tank		Hydraulic Jib Length
	Gradeability		Travel Speed		Battery		Hydraulic Jib Radius
	Outrigger Load		Gradeability		Power		Mechanical Jib Length
	Track Loading		Working Radius		Boom Angle		Mechanical Jib Radius
	Outriggers Setup		Hookblock		Boom Length		Manipulator Length
	Ext Tracks Width		Slewing		Boom Radius		Manipulator Radius
	Chart On Tracks		Slewing Locked		Jib Hook Radius		Maximum inclination of the machinery
	Jib on board		Without jib on board		Standard		Stabilizing bar
	Horizontal boom angle		Number of vacuum pads		Factory max. load		Building site max. load
	Powerpack		Outriggers mats		Winter warm-up kit		Hydraulic oil

Remarks referring to load chart

- For the calculation of the load charts at least a wind speed of 30 ft/s (20mph) and regarding the load a sail area of 1m² (1.2 yd²) per metric ton load (2205 lb) and a wind resistance coefficient of 1.2 on the load have been taken into account. For lifting of loads with large sail areas and/or high wind resistance coefficients the maximum wind speed as stated in the load charts has to be
- Lifting capacities are given in kilograms.
- The weight of the hook blocks and hooks is part of the load and therefore it must be deducted from the lifting capacities.
- Working radii are measured from the slewing centre.
- The lifting capacities given for the telescopic boom apply if the folding jib is removed.
- Subject to modification of lifting capacities.

NOTES

A large, empty rectangular box with a thin black border, intended for taking notes.

NOTES



DEALER



JEKKO S.r.l. via Campardone, 1 Z.I. 31014 Colle Umberto (TV) Italy
tel. +39 0438 1710083 fax +39 0438 1710123
www.jekko.it - info@jekko.it