



Technical Data

Specification & Capacities



SPX424

S.N: _____



CDH: 14,9kW/20Hp



C+: 4,0kW/5,5Hp



8'6" – 27'11"



5290 lb



B30.5

[ft] [lb]



SPX424



SPX424



Via Campardone, 1
31014 Colle Umberto – Italy
Tel. +39 0438 1710083
Mail: info@jekko.it
Web: www.jekko.it

Date	Jul. 16 th 2018
REV.	22



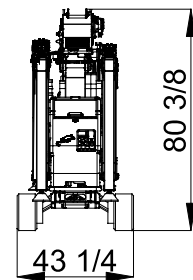
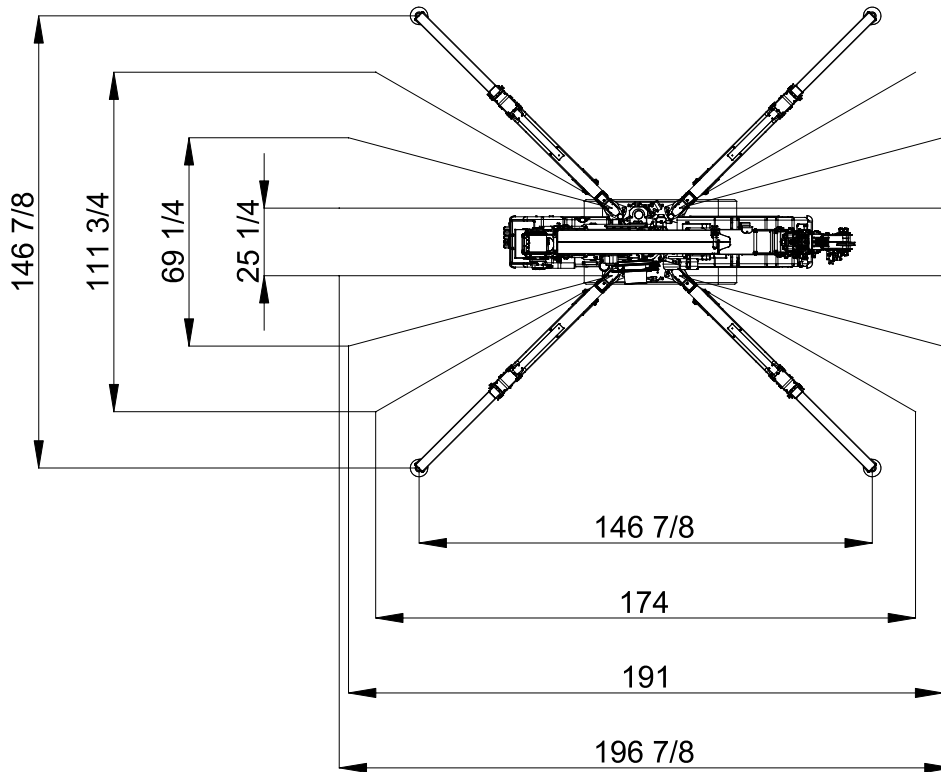
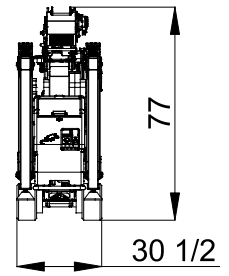
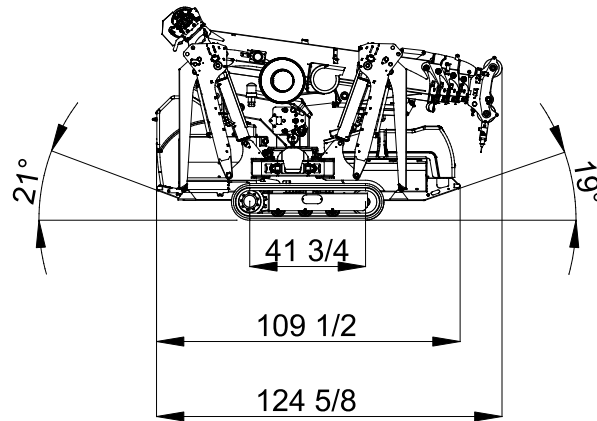
SPX424



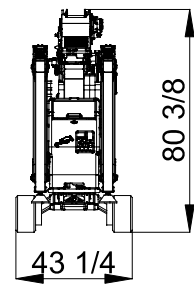
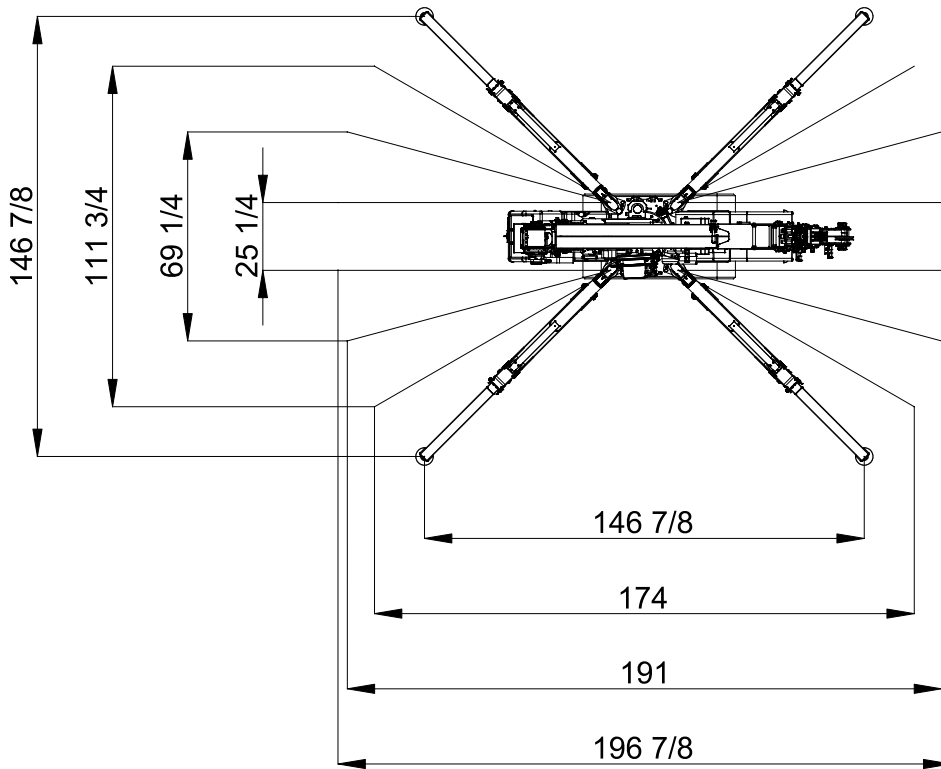
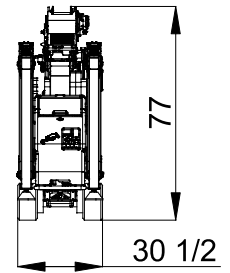
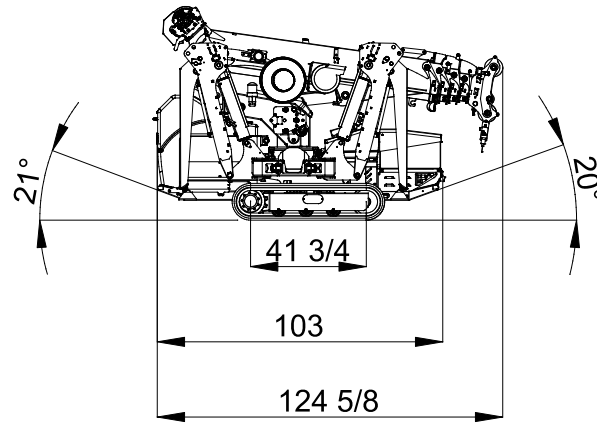
SPX424

SPX424 - OVERALL DIMENSIONS

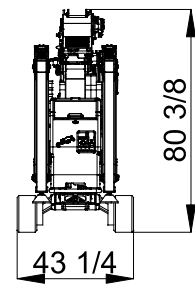
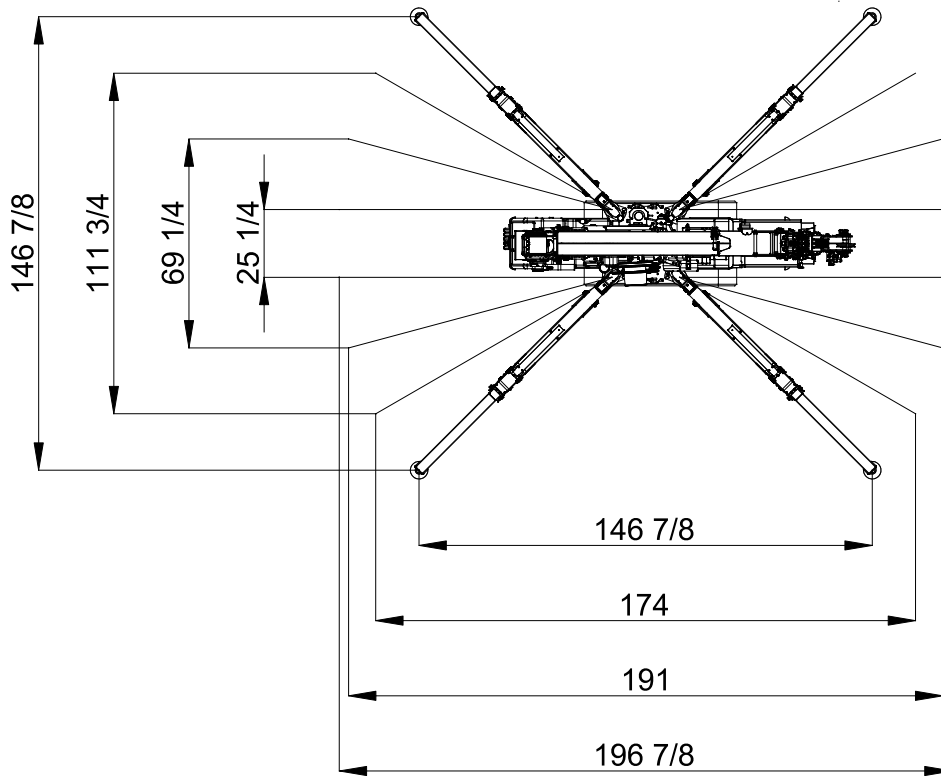
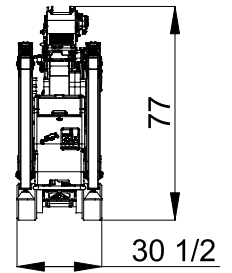
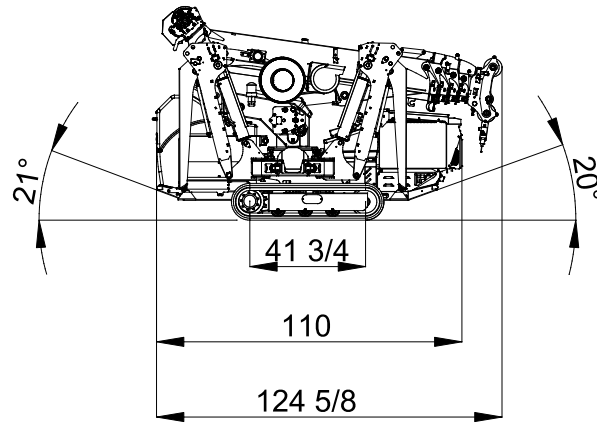
SPX424CDH



SPX424C+



SPX424C+



		WEIGHTS	
		Name / version	lb ¹
	CDH, C+	4576	
	CDH, C+	440	
	SINGLE FALL	59	
	MULTIPLE FALL	44	
	POWERPACK	99	
	800GX	55	
	800.1MX	242	
	800.2H1MX	374	
	MV600	440	
	MR800	649	
	HA-SPX424	66	
	OM400	37	
	WUK-02	3,3	

		ENGINE	
		kw	
	KUBOTA D722-E3B		
	14,9kW 20Hp		
	DIESEL		
	gal	2,6	

		ELECTRIC	
	C+: 24V 240Ah C++: 24V 420Ah		
	Li: 24V 288Ah		
	24V-3F 4,0kW 5,5HP		

		HYDRAULIC	
	ISO 6743-4:HFDU with VG46 viscosity class		
	Working temp	<158°F	
	gal	9,2	

		MOVEMENTS	
	mph	CDH: 1,12 C+: 0,45	
	20° (36%) ²		
	lb/in ²	7,82	
	lb	4840 ³	
	0°/75°		
	s	14	
	360°		
	rpm	1,5	
	m	8' 06" - 27' 11"	
	s	26	

¹: Dry weight
²: Engine working limit
³: Static lifting



SPX424

HOIST PERFORMANCE	Winch	Layer	Max line pull	Standard rope speed	Highest rope speed
			lb	ft/min	ft/min
		1	2200 ¹	68,9	84,3
		2	2046 ¹	73,8	91,9
		3	1892 ¹	80,4	96,8
	4	1760	85,3	104,3	
	Rope	Wire rope	Ø	Total lenght	Max load
			in	ft	lb
		A4 ALC	9/32	230	10934
	Hook block	Load	N° of		Block type
lb		Sheaves	Lines		
5280		2	3	Multiple fall block	
3520		1	2		
1760	-	1	Single fall block		

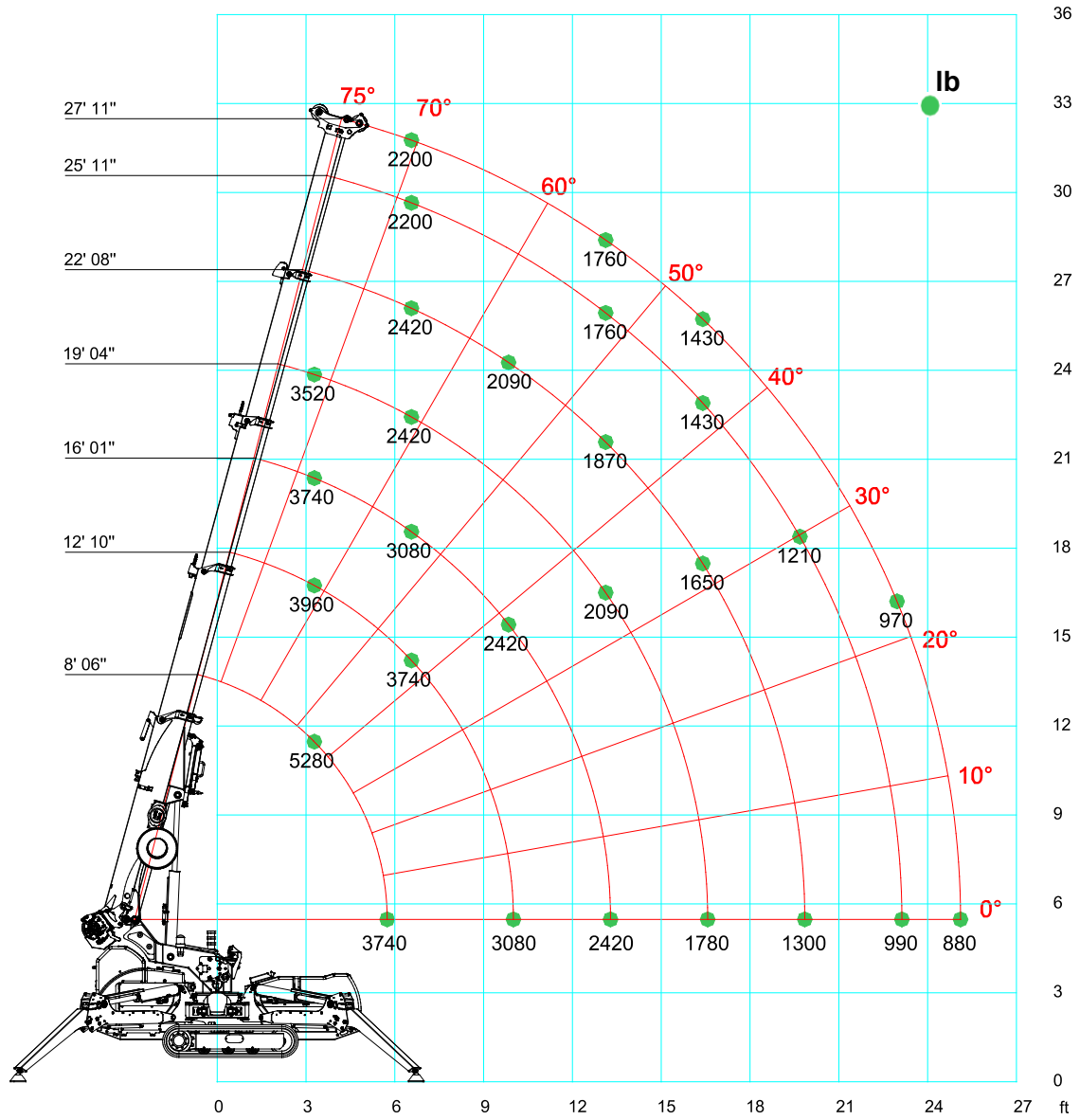
¹:LMI limited at 1320 lb


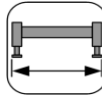
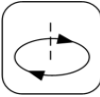
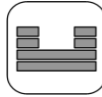


SPX424


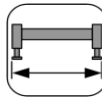
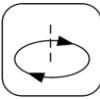
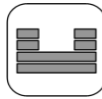
SPX424 – MAIN BOOM

100% 360° 440 lb



[ft] \ [lb]	 MAIN BOOM	 100%	 360°	 440 lb				
	8' 06"	12' 10"	16' 01"	19' 04"	22' 08"	25' 11"	27' 11"	
3' 03"	5280	3960	3740	3520	3080			
6' 07"		3740	3080	2420	2420	2200	2200	
9' 10"		3080	2420	2200	2090	1980	1980	
13' 01"			2420	2090	1870	1760	1760	
16' 05"				1782	1650	1430	1430	
19' 08"					1298	1210	1100	
23' 00"						990	968	
24' 11"								880

LC424_V401_1116_BP_FUNE_CW200_STAB_100

[ft] \ [lb]	 MAIN BOOM	 50%	 360°	 440 lb				
	8' 06"	12' 10"	16' 01"	19' 04"	22' 08"	25' 11"	27' 11"	
3' 03"	5280	3960	3740	3080	2640			
6' 07"		3740	2640	2200	1980	1870	1760	
9' 10"		2156	2090	1980	1760	1650	1540	
13' 01"			1188	1166	1144	1122	1100	
16' 05"				792	748	726	704	
19' 08"					550	506	462	
23' 00"						396	352	
24' 11"								330

LC424_V401_1116_BP_FUNE_CW200_STAB_50



SPX424

SPX424 + JIB800GX



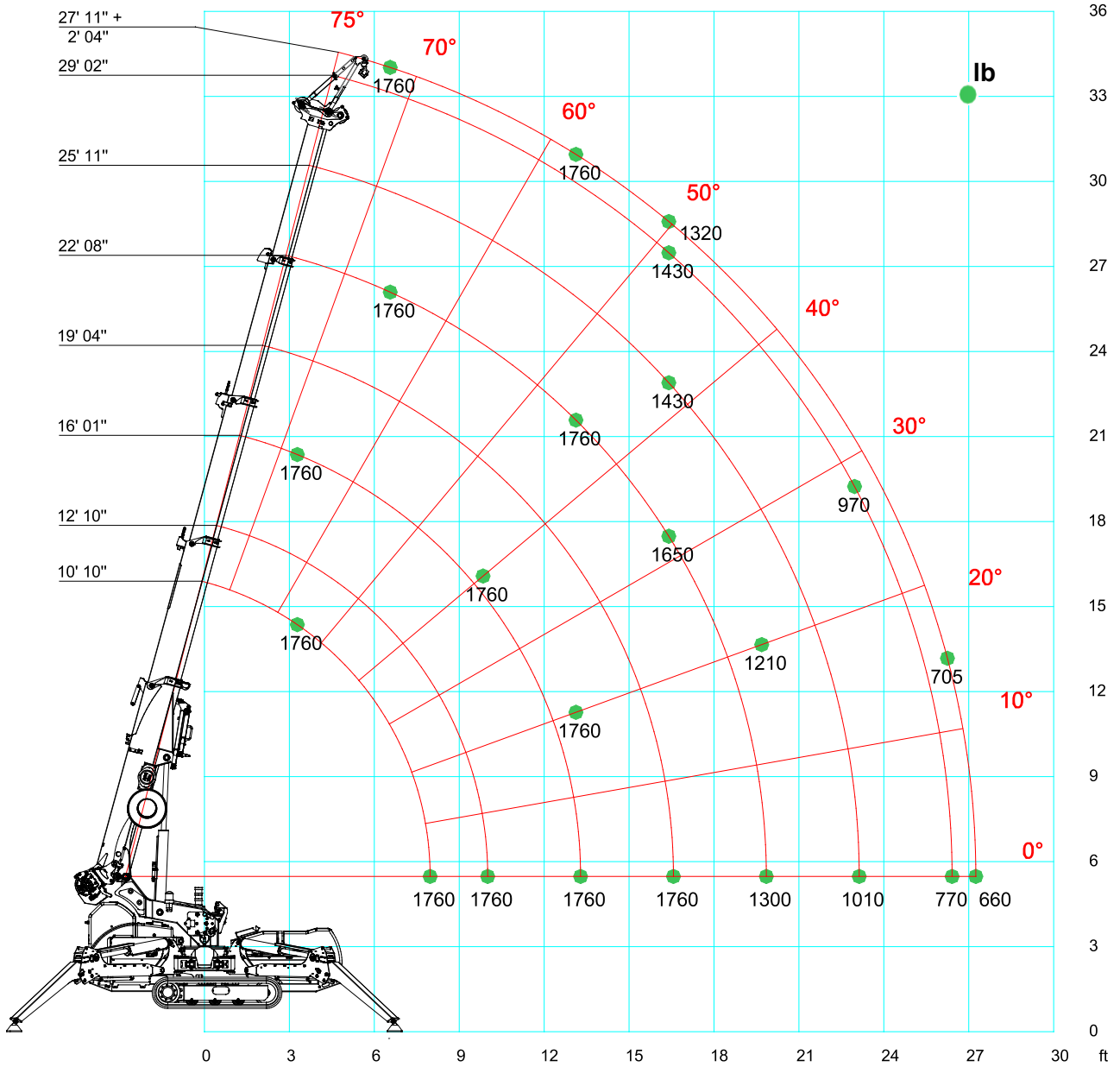
100%


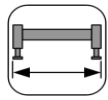
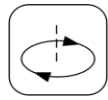
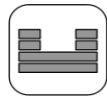


360°


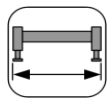
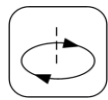
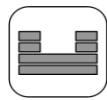


440 lb



[ft] \ [lb]	 JIB800GX	 100%	 360°	 440 lb				
	11' 10"	12' 10"	16' 01"	19' 04"	22' 08"	25' 11"	29' 02"	30' 02"
3' 03"	1760	1760	1760	1760	1760			
6' 07"	1760	1760	1760	1760	1760	1760	1760	1760
9' 10"		1760	1760	1760	1760	1760	1760	1760
13' 01"			1760	1760	1760	1760	1760	1760
16' 05"				1760	1650	1430	1430	1320
19' 08"					1298	1210	1100	990
23' 00"						1012	968	880
26' 03"							770	704
27' 03"								660

LC424_V401_1116_RUNNER_GANCIO_CW200_STAB_100

[ft] \ [lb]	 JIB800GX	 50%	 360°	 440 lb				
	9' 06"	10' 10"	14' 01"	17' 05"	20' 08"	23' 11"	27' 03"	30' 02"
3' 03"	1760	1760	1760	1760	1760			
6' 07"	1760	1760	1760	1760	1760	1760	1760	1760
9' 10"		1760	1760	1760	1760	1650	1540	1540
13' 01"			1232	1210	1166	1144	1122	1100
16' 05"				814	792	792	770	770
19' 08"					550	528	506	484
23' 00"						396	374	352
26' 03"							286	286
27' 03"								264

LC424_V401_1116_RUNNER_GANCIO_CW200_STAB_50



SPX424

SPX424 + JIB800.2H1MX



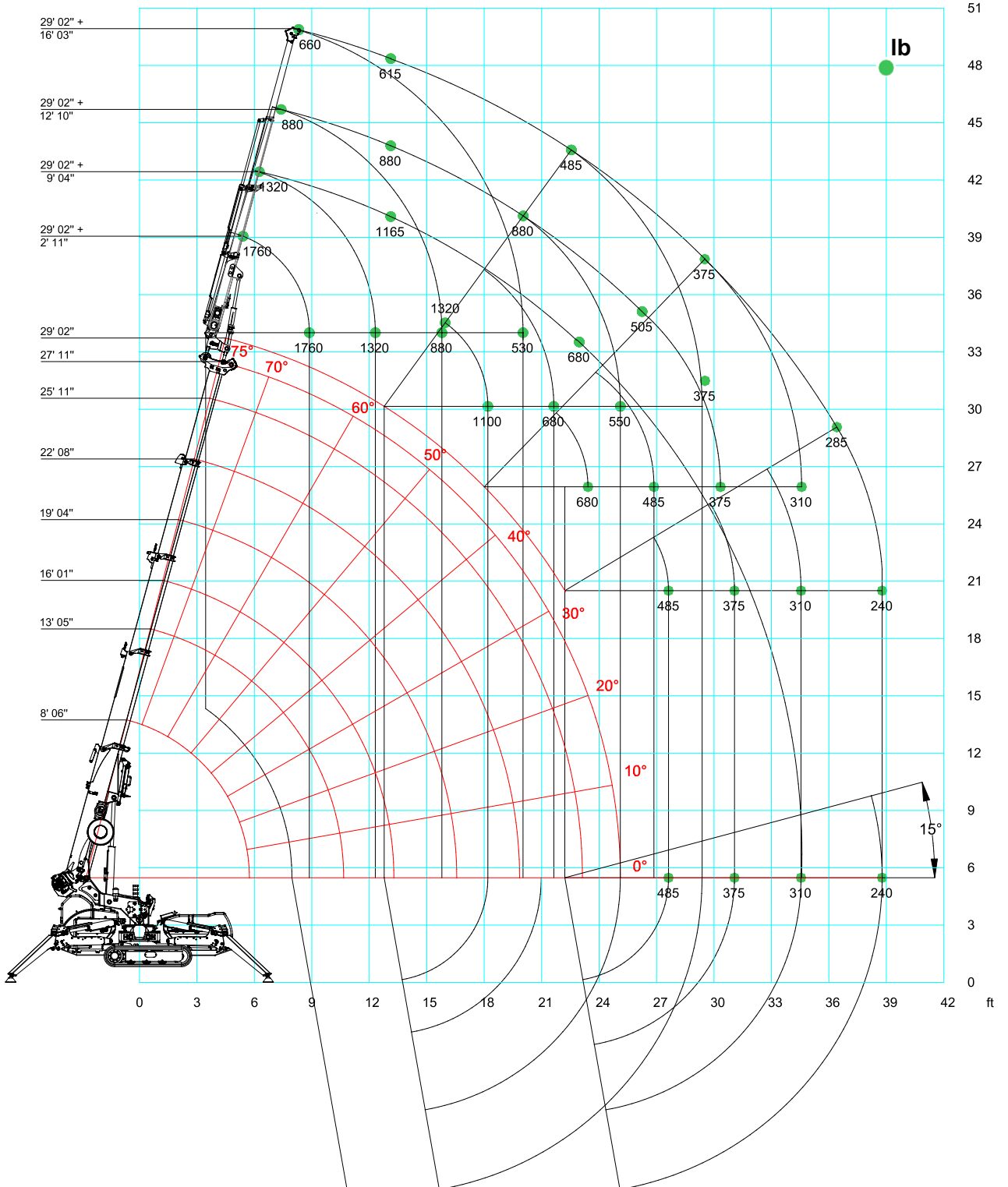
100%


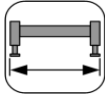
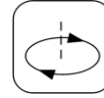
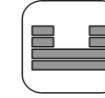


360°


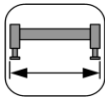
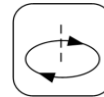
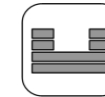


440 lb



[ft] \ [lb]				
	JIB800.2H1MX	100%	360°	440 lb
	5' 11"	9' 06"	12' 10"	16' 01"
6' 07"	1760	1320		
9' 10"	1760	1320	880	660
13' 01"	1760	1320	880	616
16' 05"	1496	1320	880	572
19' 08"	1012	1012	880	528
23' 00"	682	682	682	484
26' 03"	506	506	506	440
29' 06"	374	374	374	374
32' 10"		308	308	308
36' 01"		286	286	286
38' 09"			242	242

LC424_V401_1116_JIB2_IDR_FUNE_CW200_STAB_100

[ft] \ [lb]				
	JIB800.2H1MX	50%	360°	440 lb
	5' 11"	9' 06"	12' 10"	16' 01"
6' 07"	1760	1320		
9' 10"	1540	1320	880	660
13' 01"	924	924	880	616
16' 05"	506	506	506	506
19' 08"	264	264	264	264

LC424_V401_1116_JIB2_IDR_FUNE_CW200_STAB_50



SPX424

SPX424 + JIB800.1MX



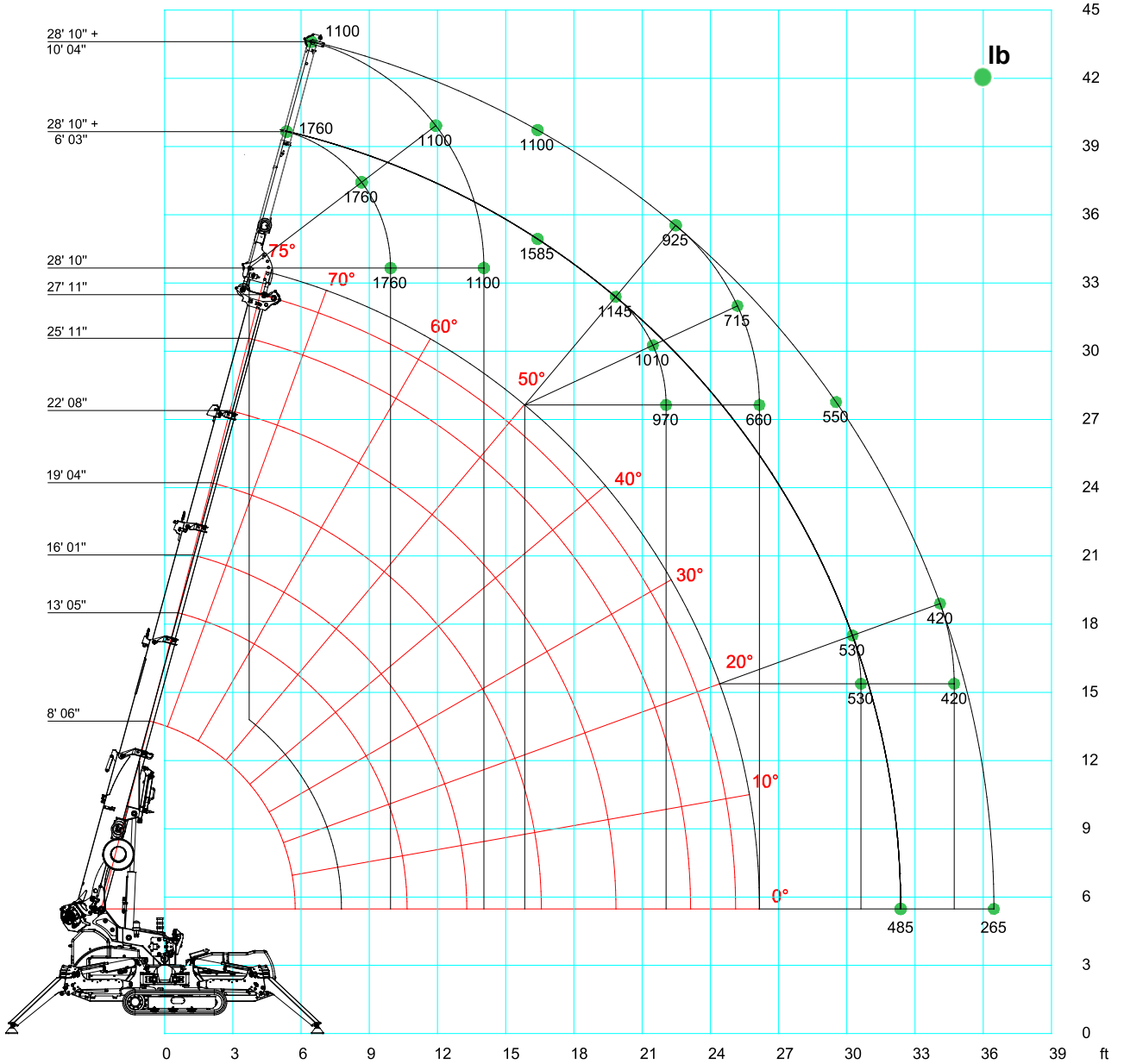
100%


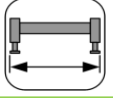
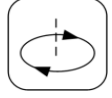
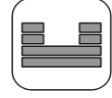


360°


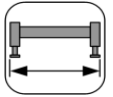
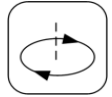
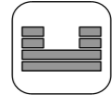


440 lb



[ft] \ [lb]	 JIB800.1M X			
		100%	360°	440 lb
	6' 03"	10' 06"		
6' 07"	1760	1100		
9' 10"	1760	1100		
13' 01"	1760	1100		
16' 05"	1584	1100		
19' 08"	1144	1100		
23' 00"	880	880		
26' 03"	660	660		
29' 06"	550	550		
32' 10"	440	440		
36' 01"	396	396		
36' 09"		352		

LC424_V401_1116_JIB_MEC_FUNE_CW200_STAB_100

[ft] \ [lb]	 JIB800.1M X			
		50%	360°	440 lb
	6' 03"	10' 06"		
6' 07"	1760			
9' 10"	1760	1100		
13' 01"	1122	1122		
16' 05"	682	682		
19' 08"	462	462		
23' 00"	286	286		

LC424_V401_1116_JIB_MEC_FUNE_CW200_STAB_50



SPX424

SPX424 + MV600.3E



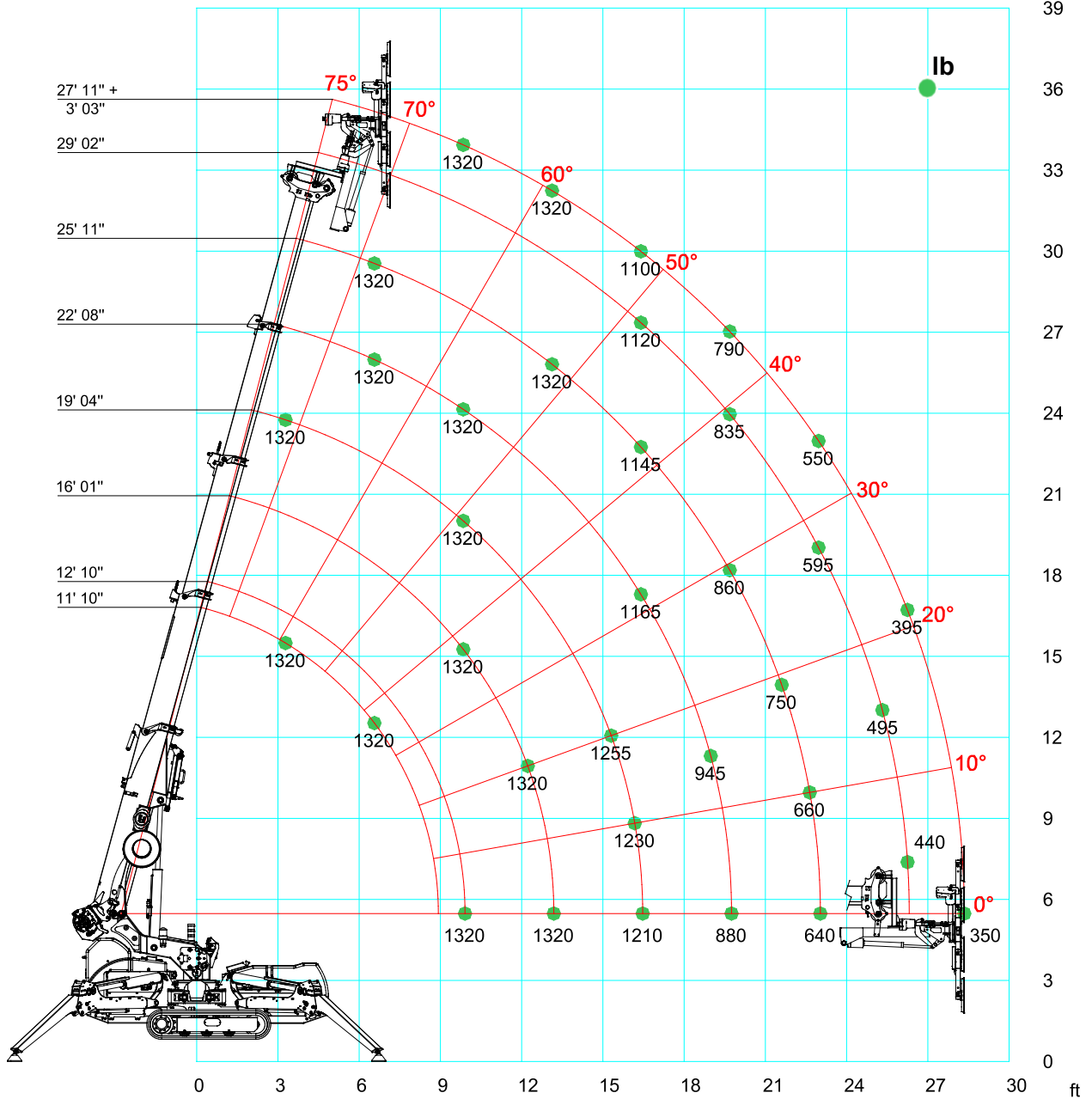
100%


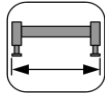
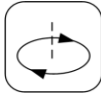
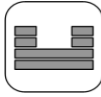


360°


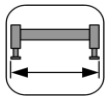
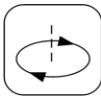
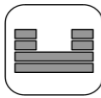


440 lb



[ft] \ [lb]	 MV600.3E+	 100%	 360°	 440 lb				
	11' 10"	12' 10"	16' 01"	19' 04"	22' 08"	25' 11"	29' 02"	31' 02"
3' 03"	1320	1320	1320	1320	1320			
6' 07"	1320	1320	1320	1320	1320	1320	1320	1320
9' 10"		1320	1320	1320	1320	1320	1320	1320
13' 01"			1320	1320	1320	1320	1320	1320
16' 05"				1210	1166	1144	1122	1100
19' 08"					880	858	836	792
23' 00"						638	594	550
26' 03"							440	396
28' 03"								352

LC424_V401_1116_MV600_CW200_STAB_100

[ft] \ [lb]	 MV600.3E+	 50%	 360°	 440 lb				
	11' 10"	12' 10"	16' 01"	19' 04"	22' 08"	25' 11"	29' 02"	31' 02"
3' 03"	1320	1320	1320	1320	1320			
6' 07"	1320	1320	1320	1320	1320	1320	1320	1320
9' 10"		1320	1320	1320	1320	1320	1210	1100
13' 01"			1078	1034	990	946	880	836
16' 05"				616	594	572	550	506
19' 08"					352	330	308	264

LC424_V401_1116_MV600_CW200_STAB_50



SPX424

SPX424 + MR800.4-6+4P



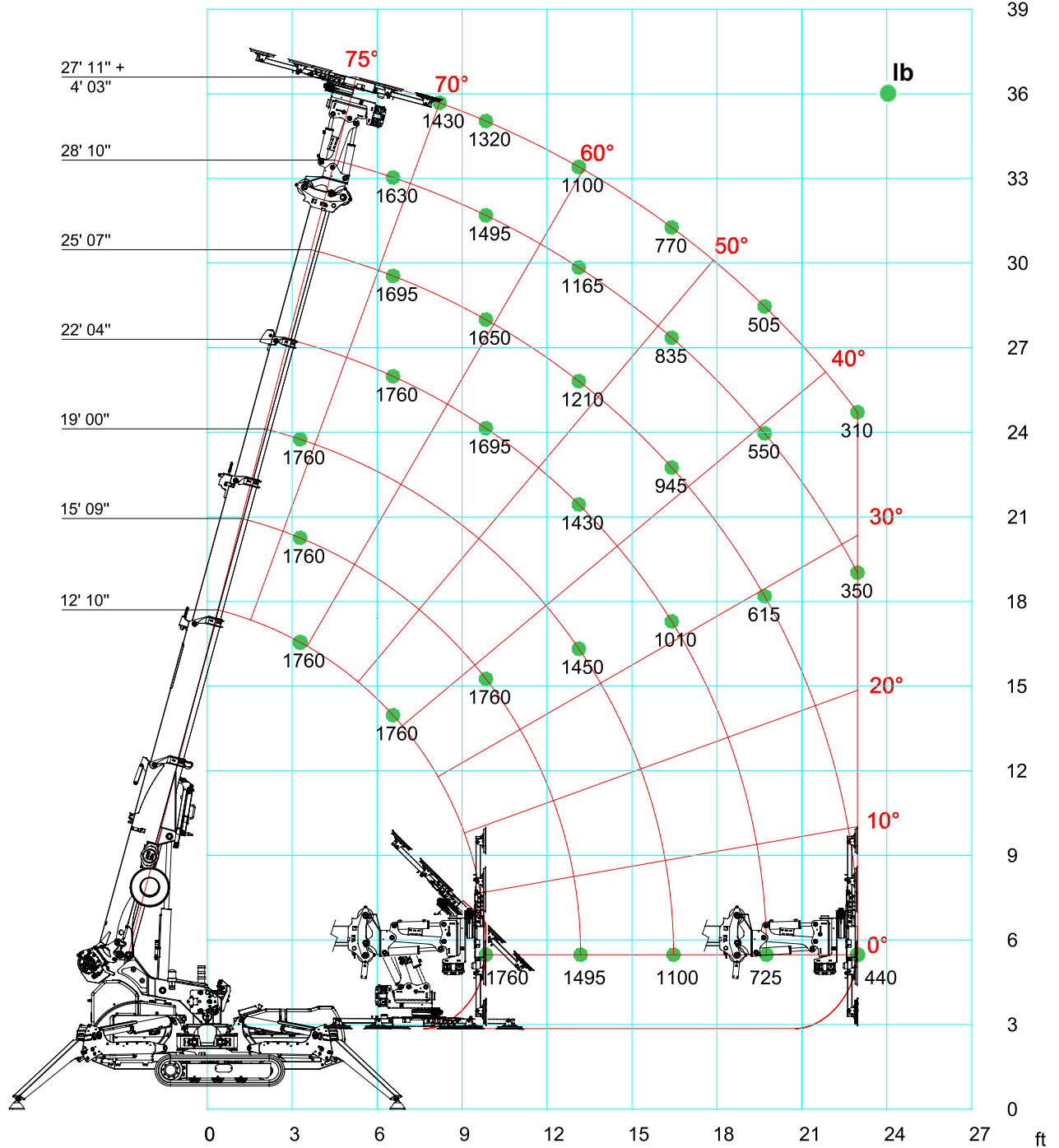
100%


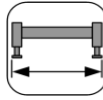
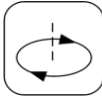



360°


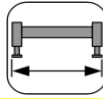
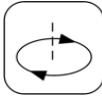



440 lb



[ft] \ [lb]	 MR800.4-6+4P	 100%	 360°	 440 lb			
	12' 10"	15' 09"	19' 00"	22' 04"	25' 07"	28' 10"	32' 02"
3' 03"	1760	1760	1760	1760			
6' 07"	1760	1760	1760	1760	1694	1628	1540
9' 10"	1760	1760	1760	1694	1650	1496	1320
13' 01"		1496	1452	1430	1210	1166	1100
16' 05"			1100	1012	946	836	770
19' 08"				726	616	550	506
23' 00"					440	352	308

LC424_V401_1116_MR800_CW200_STAB_100

[ft] \ [lb]	 MR800.4-6+4P	 50%	 360°	 440 lb			
	12' 10"	15' 09"	19' 00"	22' 04"	25' 07"	28' 10"	32' 02"
3' 03"	1760	1760	1650	1540			
6' 07"	1760	1540	1540	1474	1408	1320	1188
9' 10"	1408	1320	1210	1100	990	946	880
13' 01"		880	858	858	726	682	660
16' 05"			506	484	462	440	418
19' 08"				242	220	220	220

LC424_V401_1116_MR800_CW200_STAB_50



SPX424

SPX424 + JIB301GR



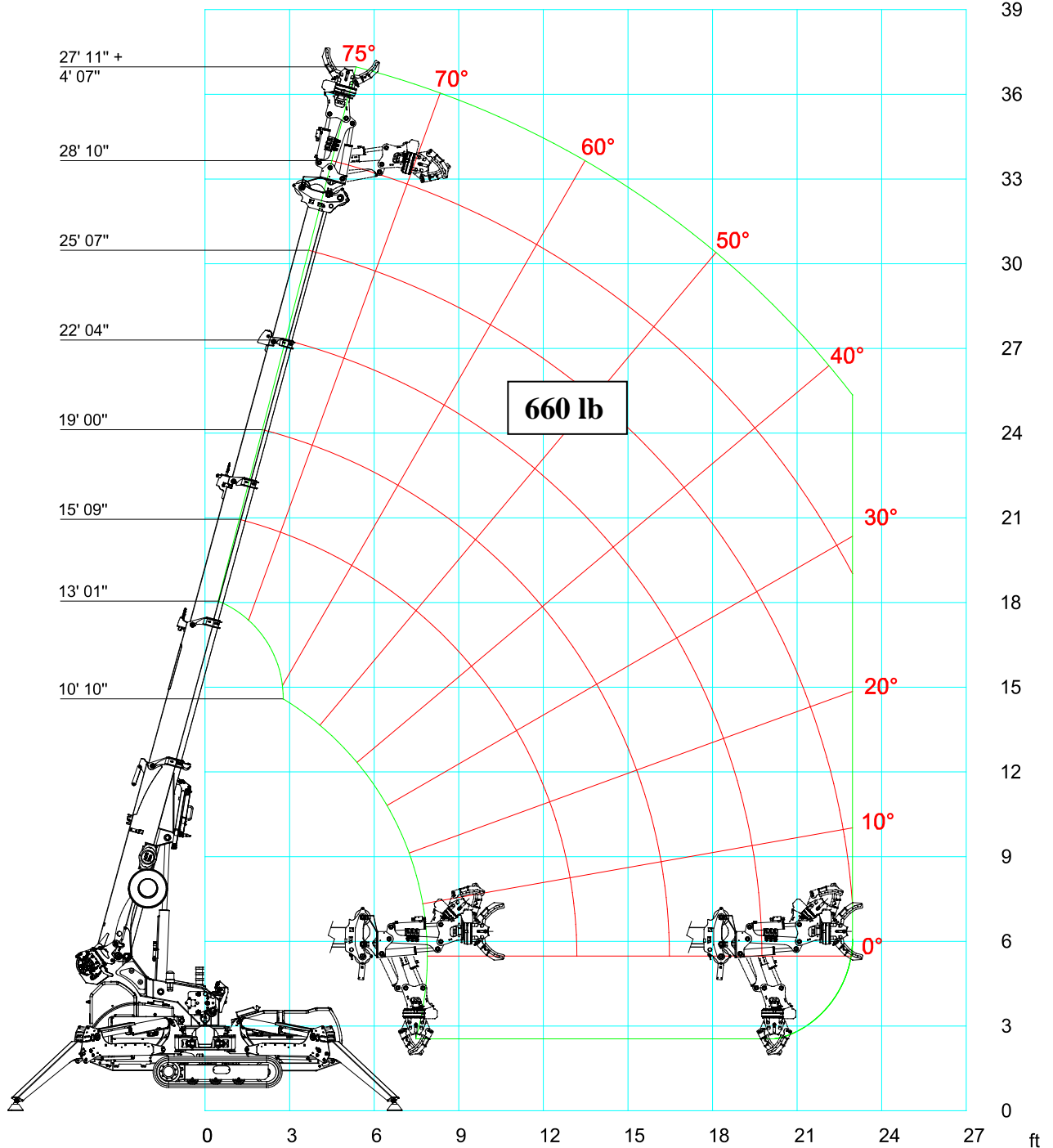
100%



360°



440 lb





SPX424

SPX424 + JIB302GR



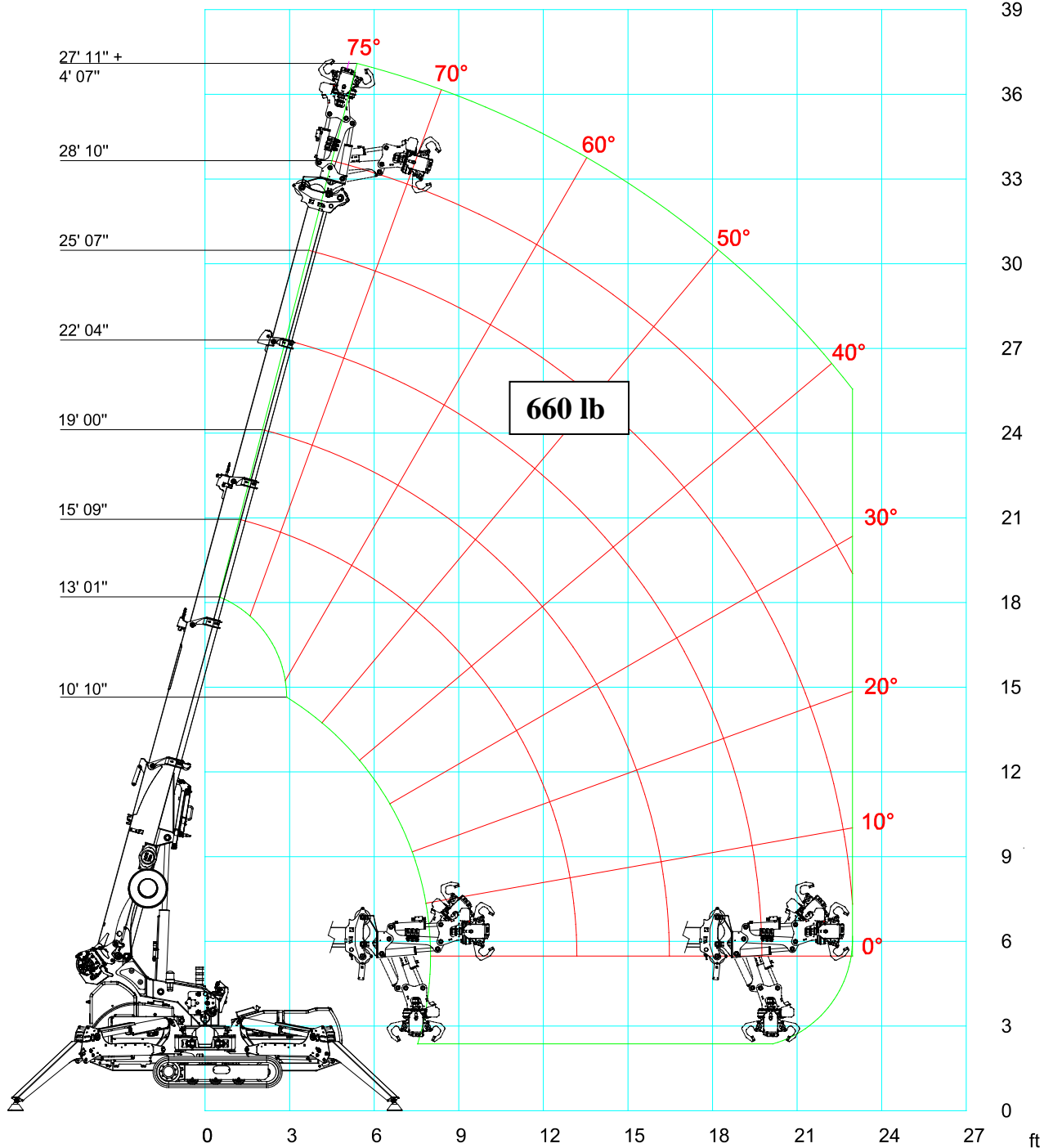
100%



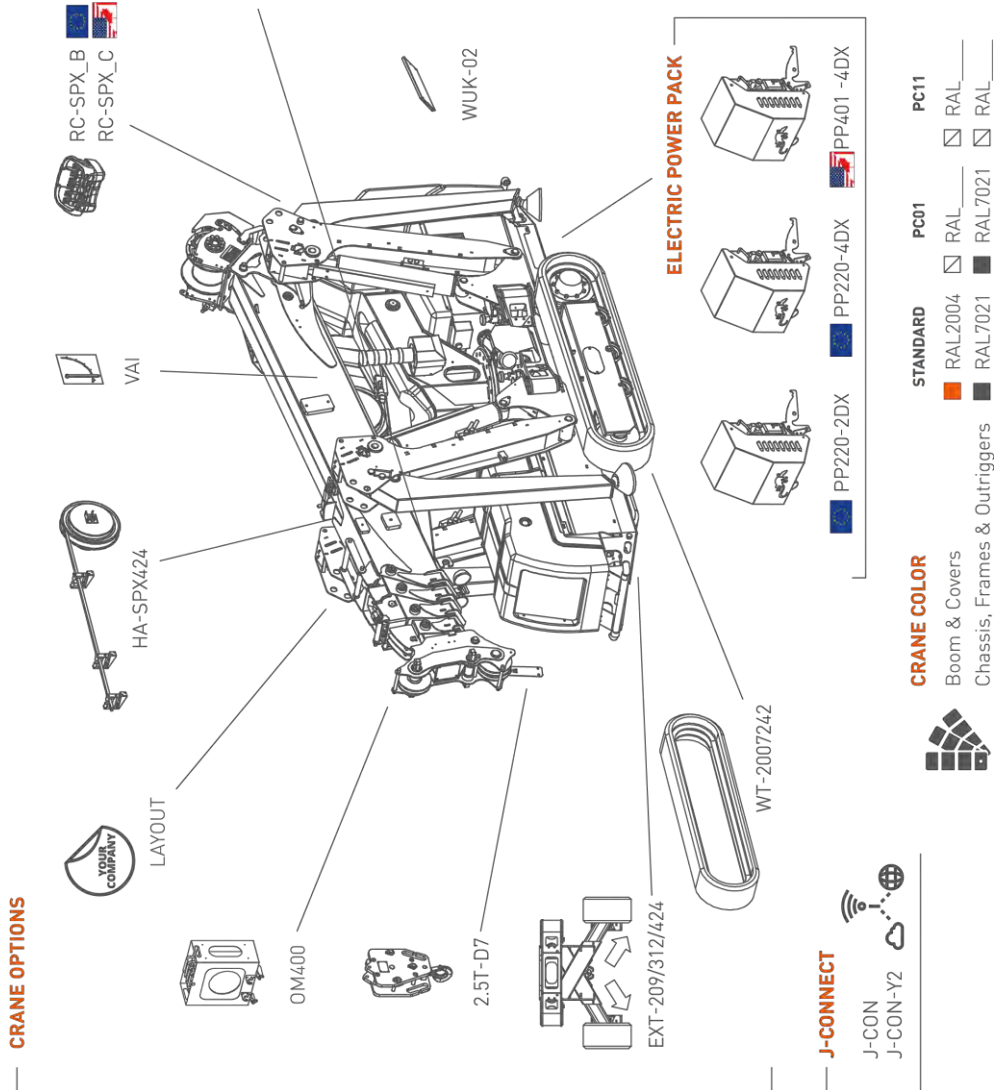
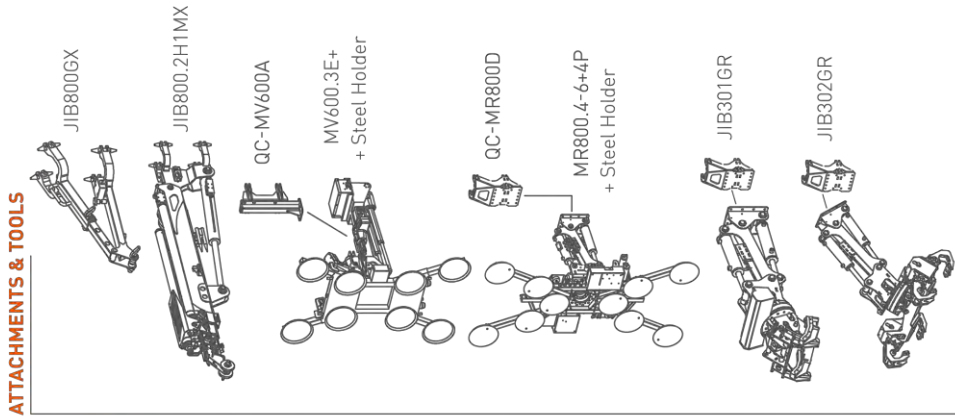
360°

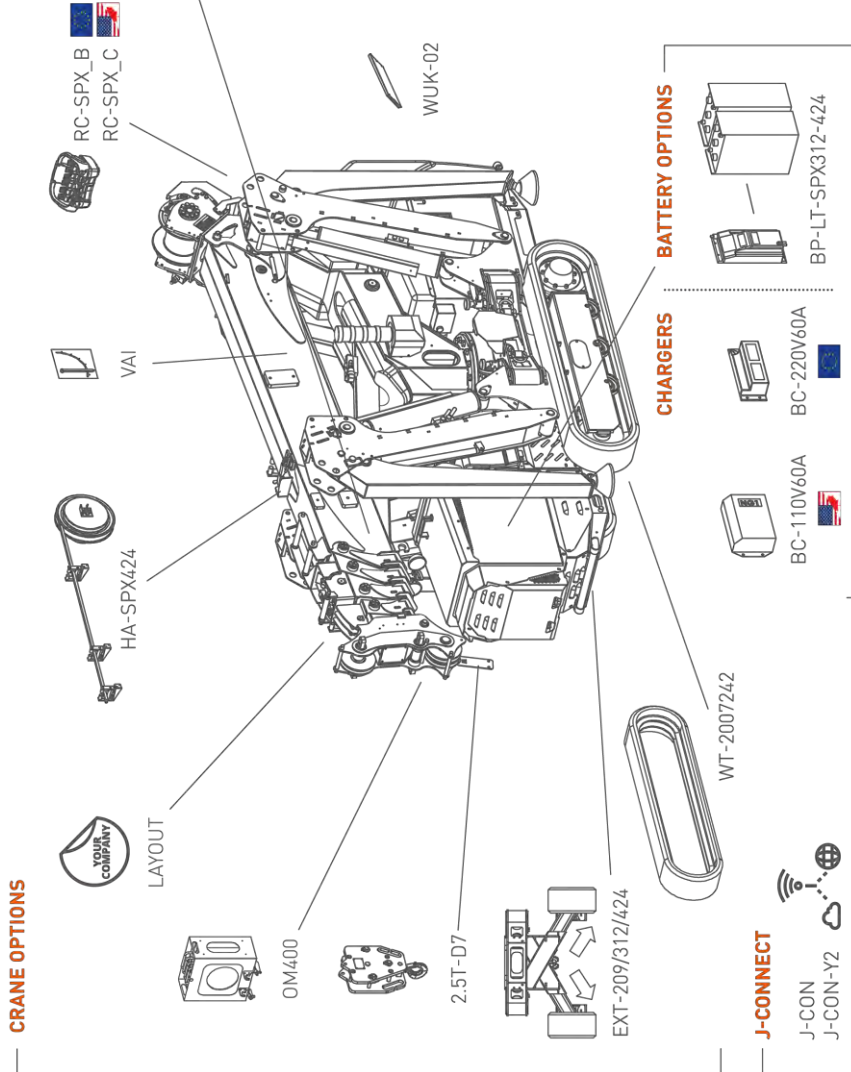
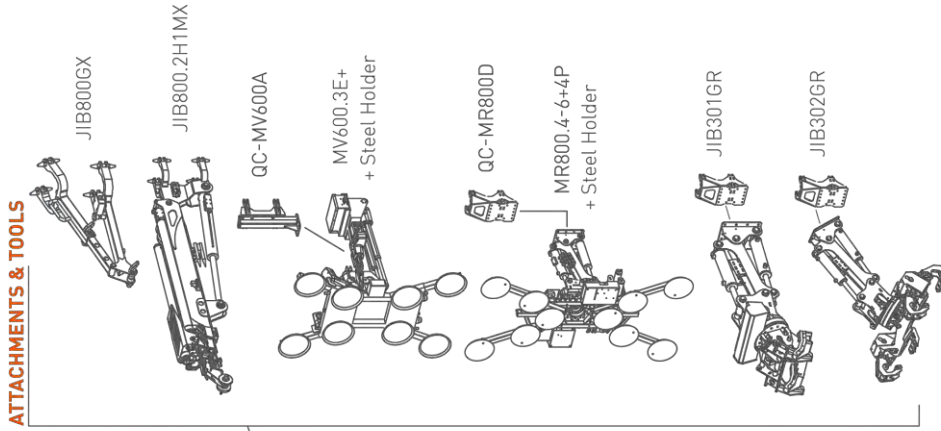


440 lb



ACCESSORIES





CRANE COLOR

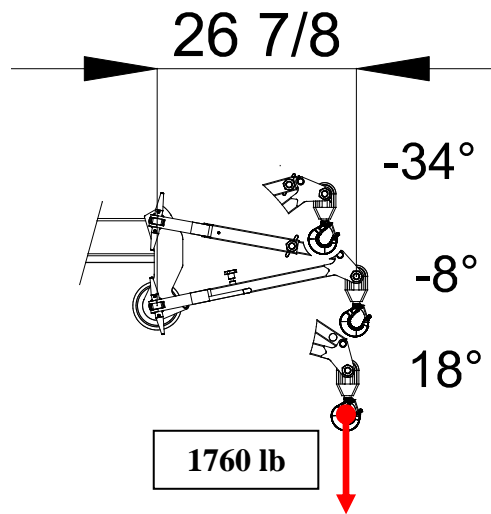
Boom & Covers

Chassis, Frames & Outriggers

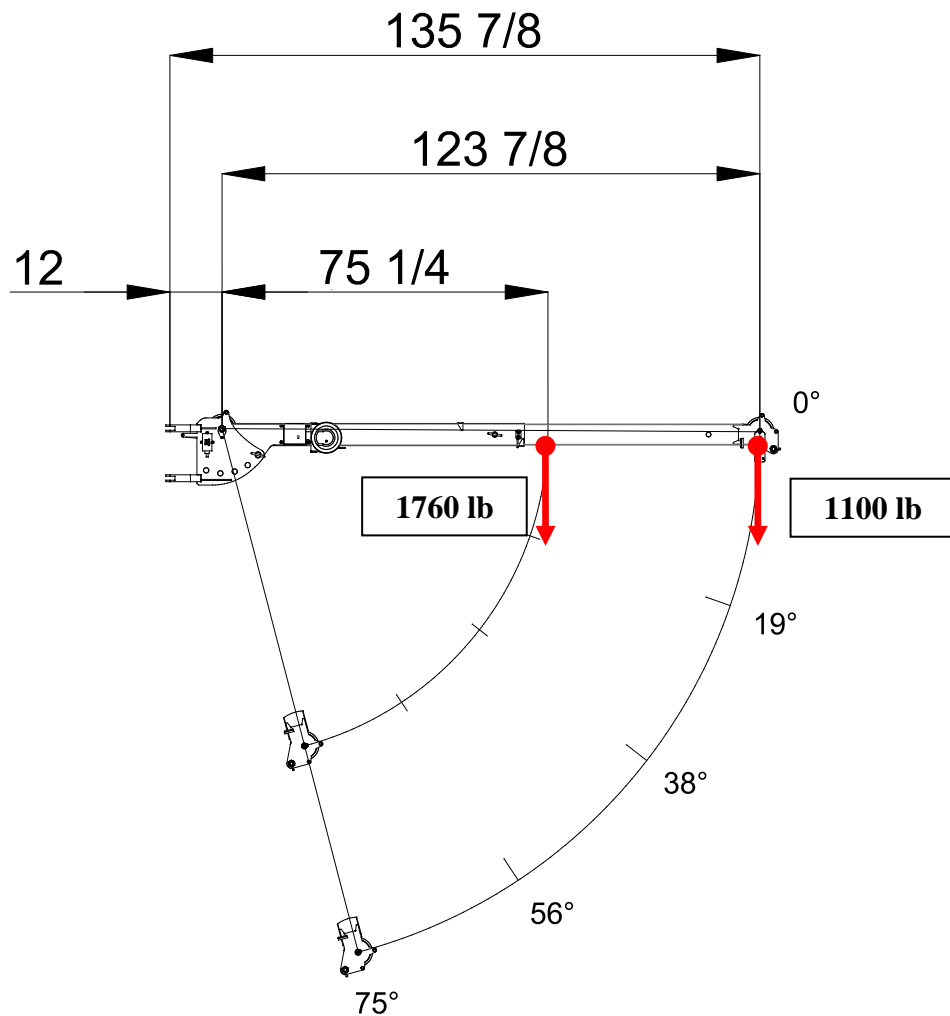
STANDARD	PC01	PC11
RAL2004	<input type="checkbox"/> RAL	<input type="checkbox"/> RAL
RAL7021	<input type="checkbox"/> RAL7021	<input type="checkbox"/> RAL

ACCESSORIES FEATURES

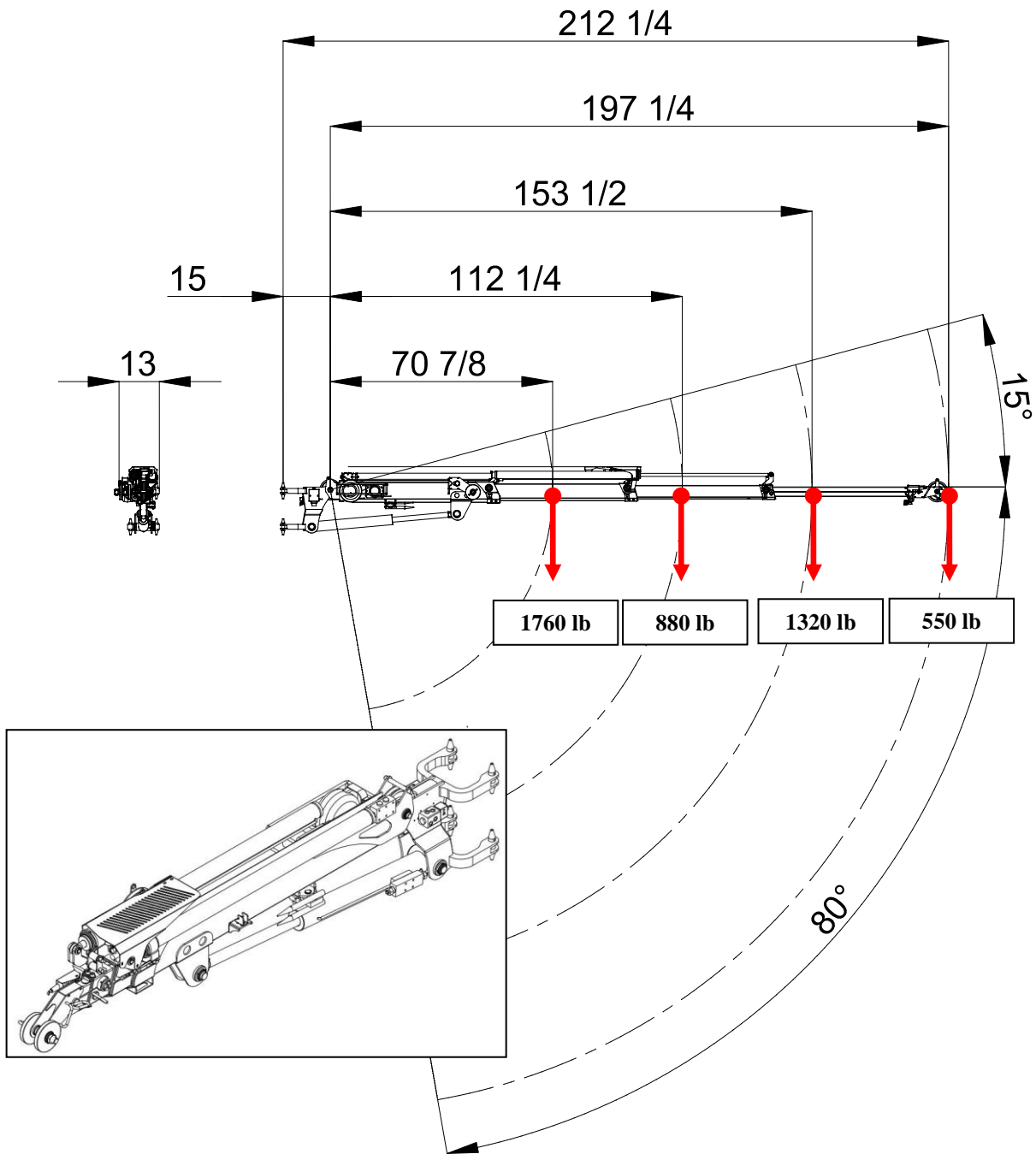
JIB800GX



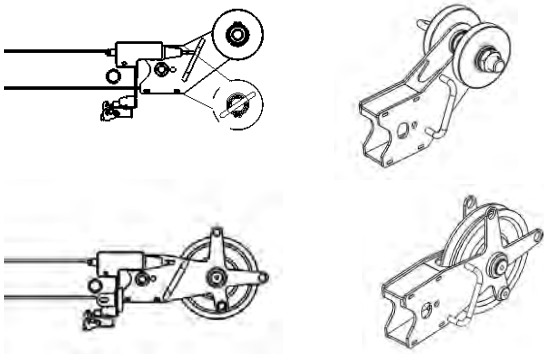
JIB800.1MX



JIB800.2H1MX

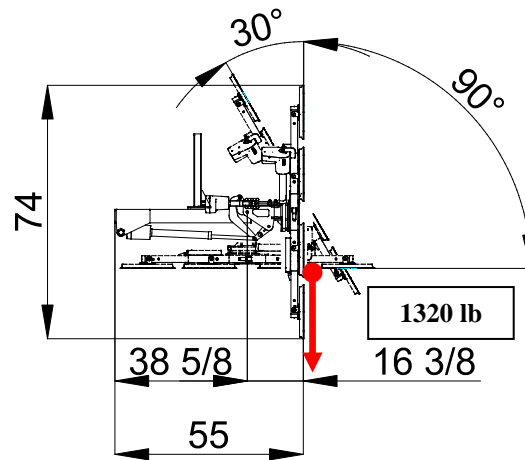


HEAD CONFIGURATIONS:

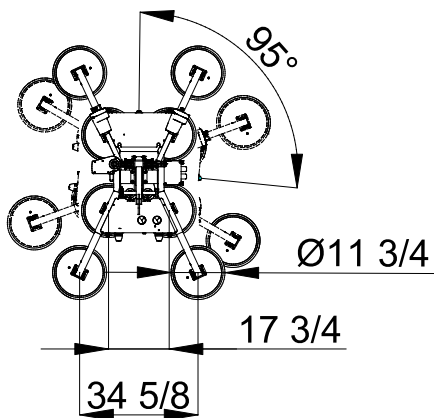


MV600.3E+

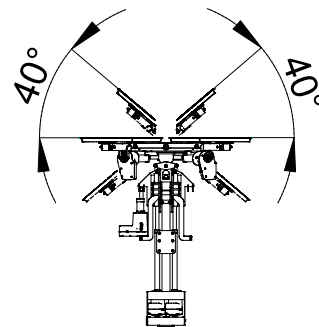
Tilt



Rotation

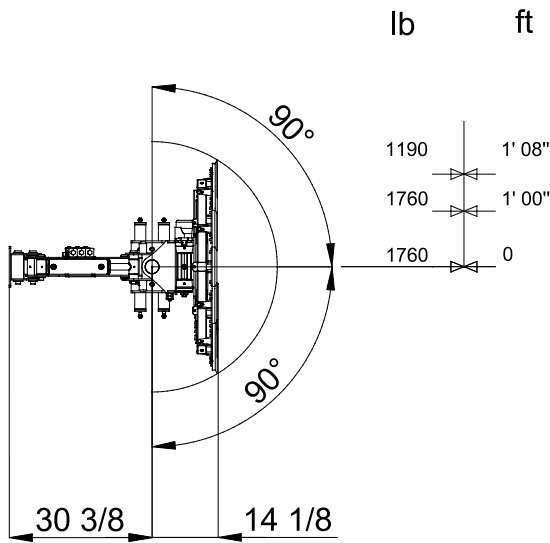
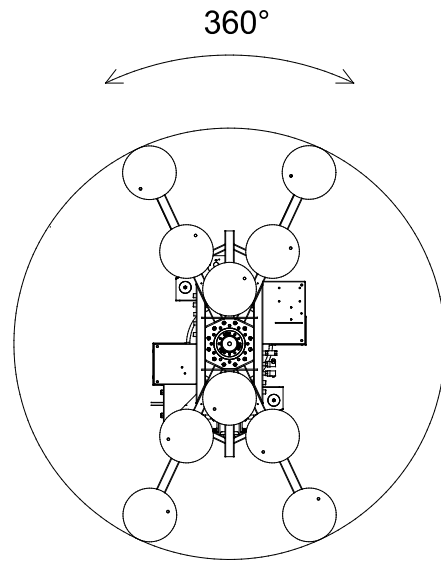
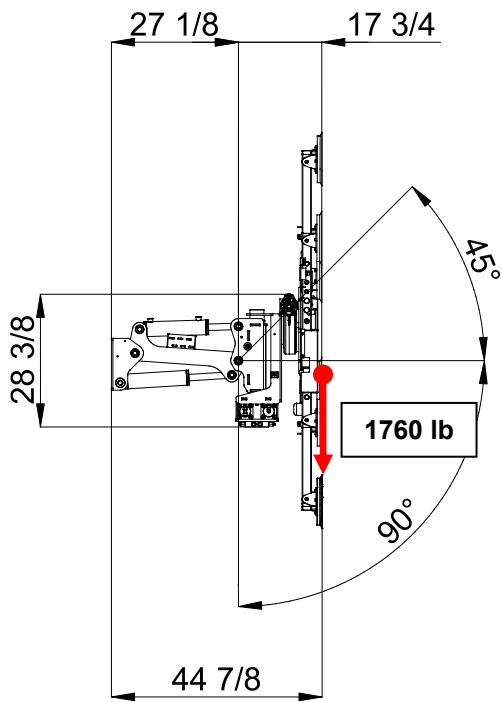


Swing



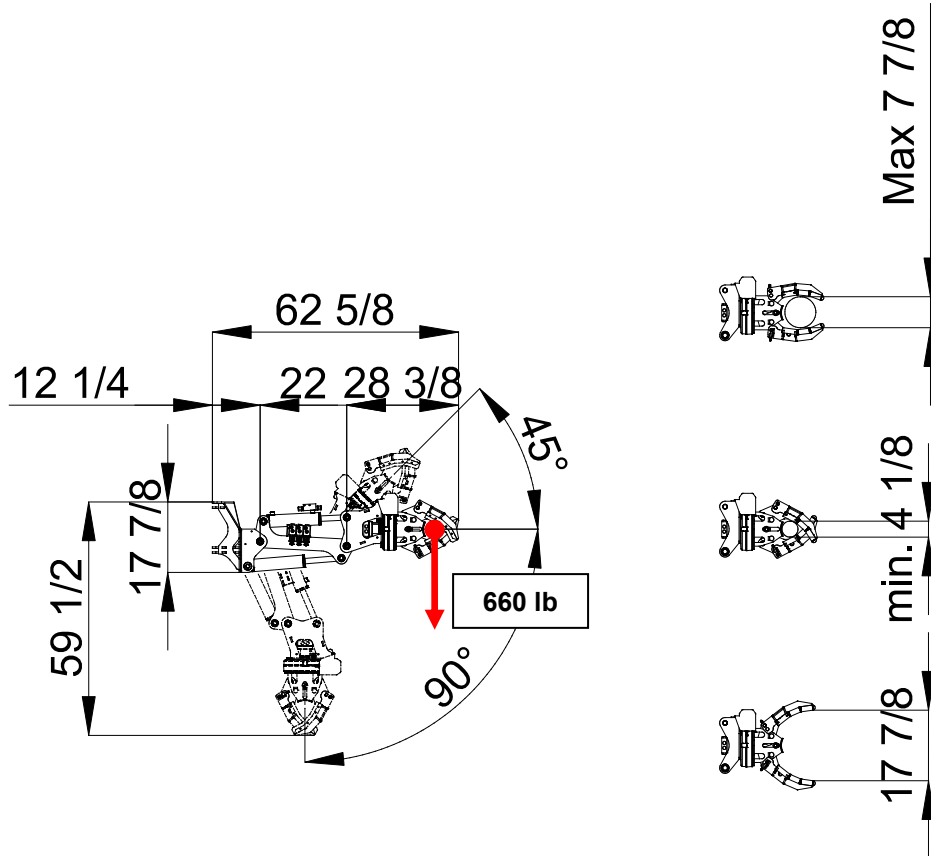
	6	10	n°
	660	1320	lb
	330	660	lb

MR800.4-6+4P

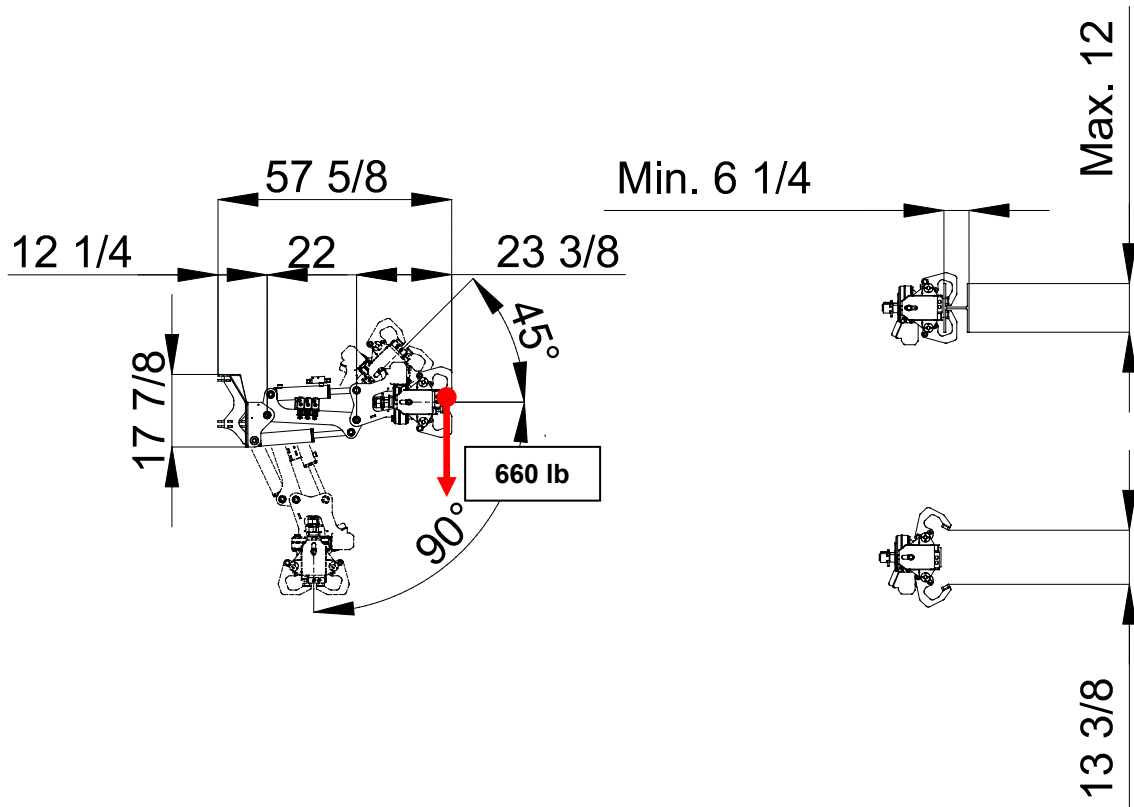


	6	10	n°
	1188	1760	lb
	594	880	lb

JIB301GR



JIB302GR



SYMBOLS

	Weight		Chart Wheels		Engine		Jib length and angle
	Counterweight		Minipicker		Diesel Fuel		Jib Length
	Crane		Back Wheel Point Loading		Gasoline Fuel		Jib Radius
	Travel Speed		Front wheel Point Loading		Tank		Hydraulic Jib Length
	Gradeability		Travel Speed		Battery		Hydraulic Jib Radius
	Outrigger Load		Gradeability		Power		Mechanical Jib Length
	Track Loading		Working Radius		Boom Angle		Mechanical Jib Radius
	Outriggers Setup		Hookblock		Boom Length		Manipulator Length
	Ext Tracks Width		Slewing		Boom Radius		Manipulator Radius
	Chart On Tracks		Slewing Locked		Jib Hook Radius		Maximum inclination of the machinery
	Jib on board		Without jib on board		Standard		Stabilizing bar
	Horizontal boom angle		Number of vacuum pads		Factory max. load		Building site max. load
	Powerpack		Outriggers mats		Winter warm-up kit		Hydraulic oil

Remarks referring to load chart

- For the calculation of the load charts at least a wind speed of 30 ft/s (20mph) and regarding the load a sail area of 1m² (1.2 yd²) per metric ton load (2205 lb) and a wind resistance coefficient of 1.2 on the load have been taken into account. For lifting of loads with large sail areas and/or high wind resistance coefficients the maximum wind speed as stated in the load charts has to be
- Lifting capacities are given in kilograms.
- The weight of the hook blocks and hooks is part of the load and therefore it must be deducted from the lifting capacities.
- Working radii are measured from the slewing centre.
- The lifting capacities given for the telescopic boom apply if the folding jib is removed.
- Subject to modification of lifting capacities.



NOTES

A large, empty rectangular box with a thin black border, intended for handwritten notes.



NOTES

A large, empty rectangular box with a thin black border, intended for handwritten notes.



DEALER



JEKKO S.r.l. via Campardone, 1 Z.I. 31014 Colle Umberto (TV)
Italy tel. +39 0438 1710083 fax +39 0438 1710123
www.jekko.it - info@jekko.it