



Technical Data

Specification & Capacities



SPX527CDH

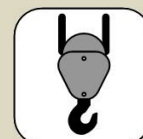
S.N: _____



18,7kW/25,0Hp



11' 02" - 39' 08"



5940 lb



B30.5

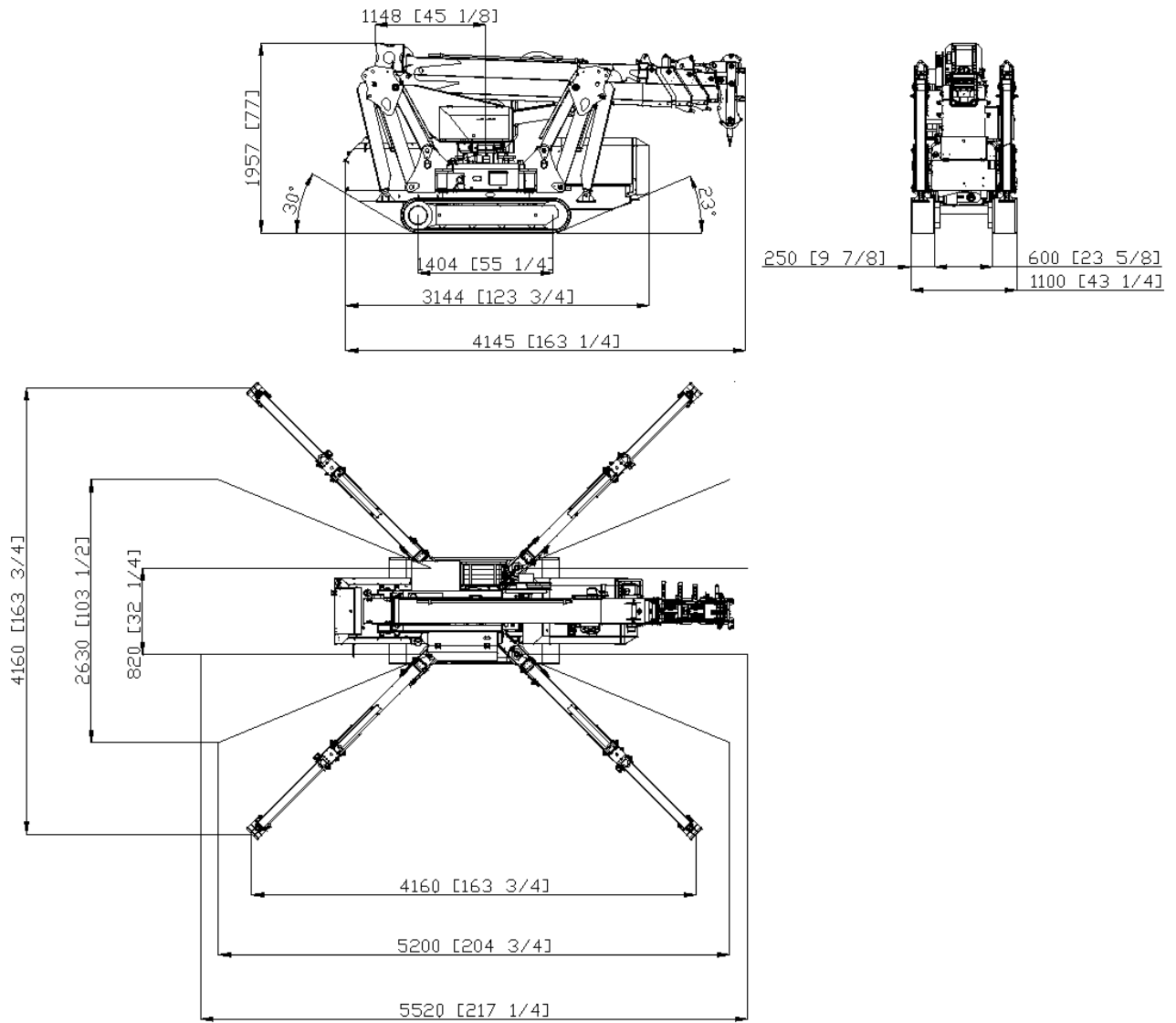
[ft] [lb]





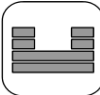
Via Campardone, 1
31014 Colle Umberto – Italy
Tel. +39 0438 1710083
Mail: info@jekko.it
Web: www.jekko.it





Date	Jan. 19 th 2017
REV.	12


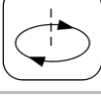

SPX527CDH - OVERALL DIMENSIONS







mm [inch]

		lb
		7937
		0
Tot.		7937

	mph	1,24
	25°	
	lb/ft ²	1086
	lb	5952

	-2°/80°	35s
	360°	1,0 rpm
	ft 11'1"-39'7"	40s

	ISUZU 3CB1		kW 18,7kW 25,0Hp	
			DIESEL	
			gal	5,28



HOIST PERFORMANCE

Layer	Max Line Pull	Normal Line Speed	High Line Speed
	lb	ft/min	ft/min
1	3.023 (*)	113	N/A
2	2.772 (*)	123	N/A
3	2.559 (*)	133	N/A

(*) 1980lb LMI limited

Wire Rope	Diameter	Tot. Length	Max Load
	in	ft	lb
19x7 right lang lay Non rotating	5/16"	196	11.957

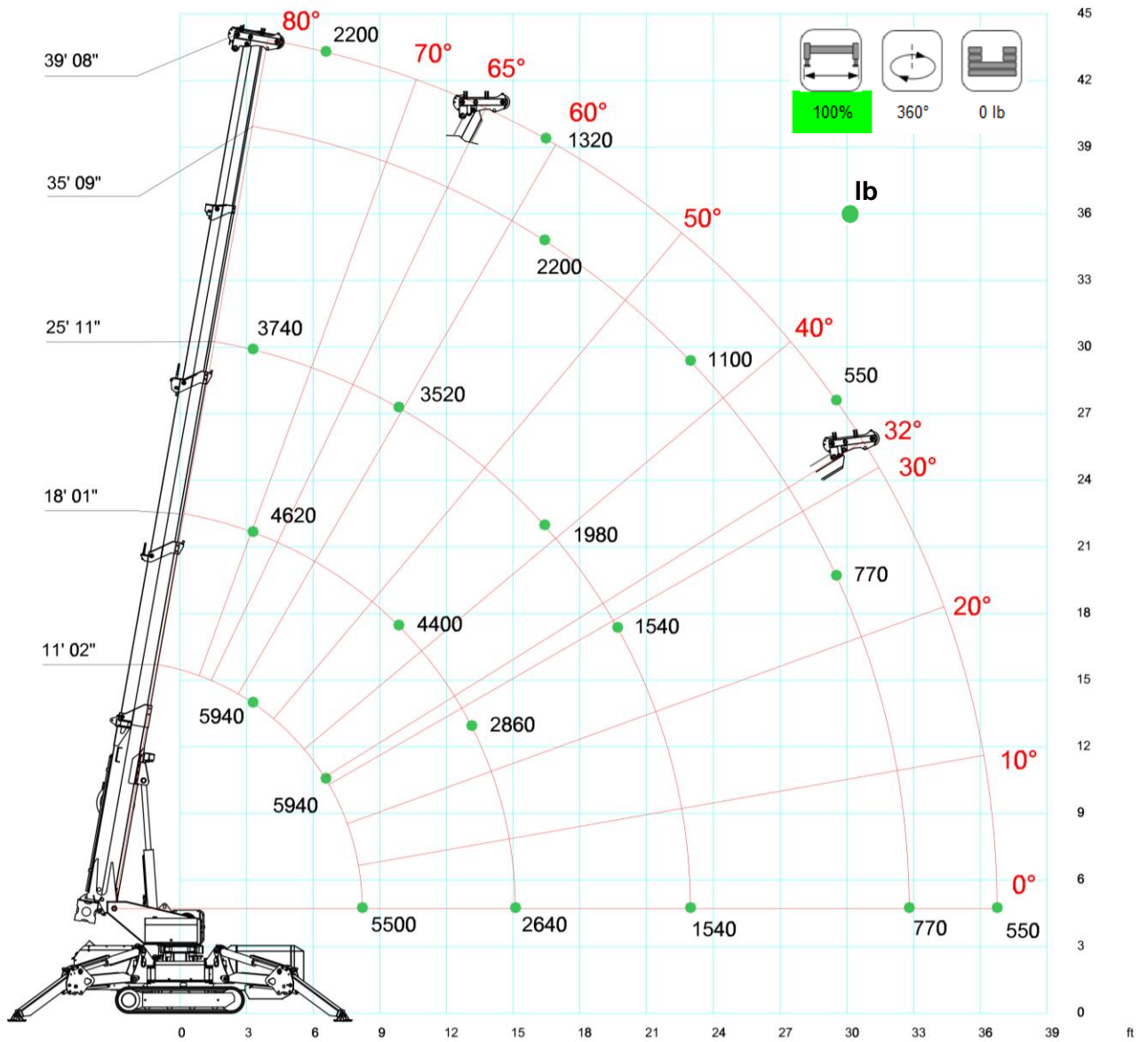
HOOK BLOCK

LOAD	No. of	
	Sheaves	Lines
5940	2	3
3960	1	2
1980		1



SPX527

SPX527CDH – MAIN BOOM



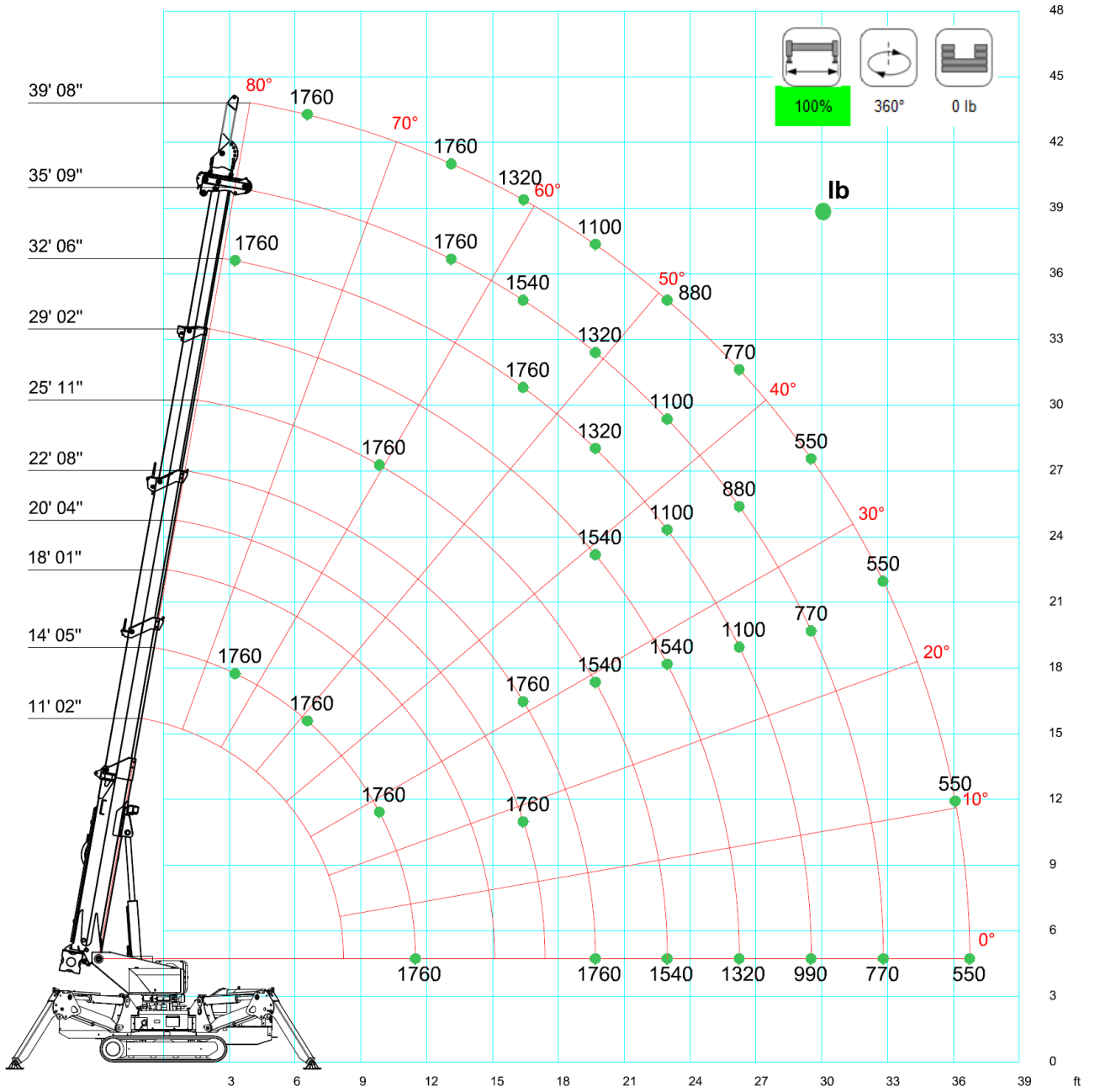
[ft] [lb]										
		100%	360°	0 lb						
	11' 02"	14' 05"	18' 01"	20' 04"	22' 08"	25' 11"	29' 02"	32' 06"	35' 09"	39' 08"
3' 03"	5940	5500	4620	4180	3960	3740	3520			
6' 07"	5940	5500	4620	4180	3740	3520	3520	3080	2860	2200
8' 02"	5500	5060	4400	3960	3740	3520	3300	3080	2860	2200
9' 10"	5500	5060	4400	3960	3740	3520	3300	2860	2640	2200
13' 01"		2860	2860	2860	2860	2640	2640	2420	2200	1980
15' 01"			2640	2420	2420	2420	2420	2200	1980	1540
16' 05"				2200	2200	1980	1980	1760	1540	1320
19' 08"				1980	1980	1540	1540	1320	1320	1100
23' 00"						1540	1320	1100	1100	880
26' 03"							1320	1100	880	770
29' 06"								990	770	550
32' 10"									770	550
36' 09"										550


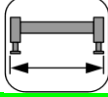
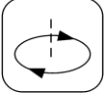
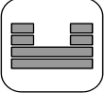
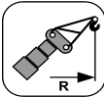
SPX0527.00.02.000.1.05.15.A

[ft] [lb]				
		>0mph	180°	0 lb
	11' 02"	14' 05"	18' 01"	
3' 03"	660	550	440	
6' 07"	1100	660	440	
8' 02"	880	550	440	
9' 10"	440	440	440	



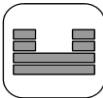
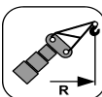
SPX0527.00.03.000.1.05.15.A

SPX527CDH + JIB800G



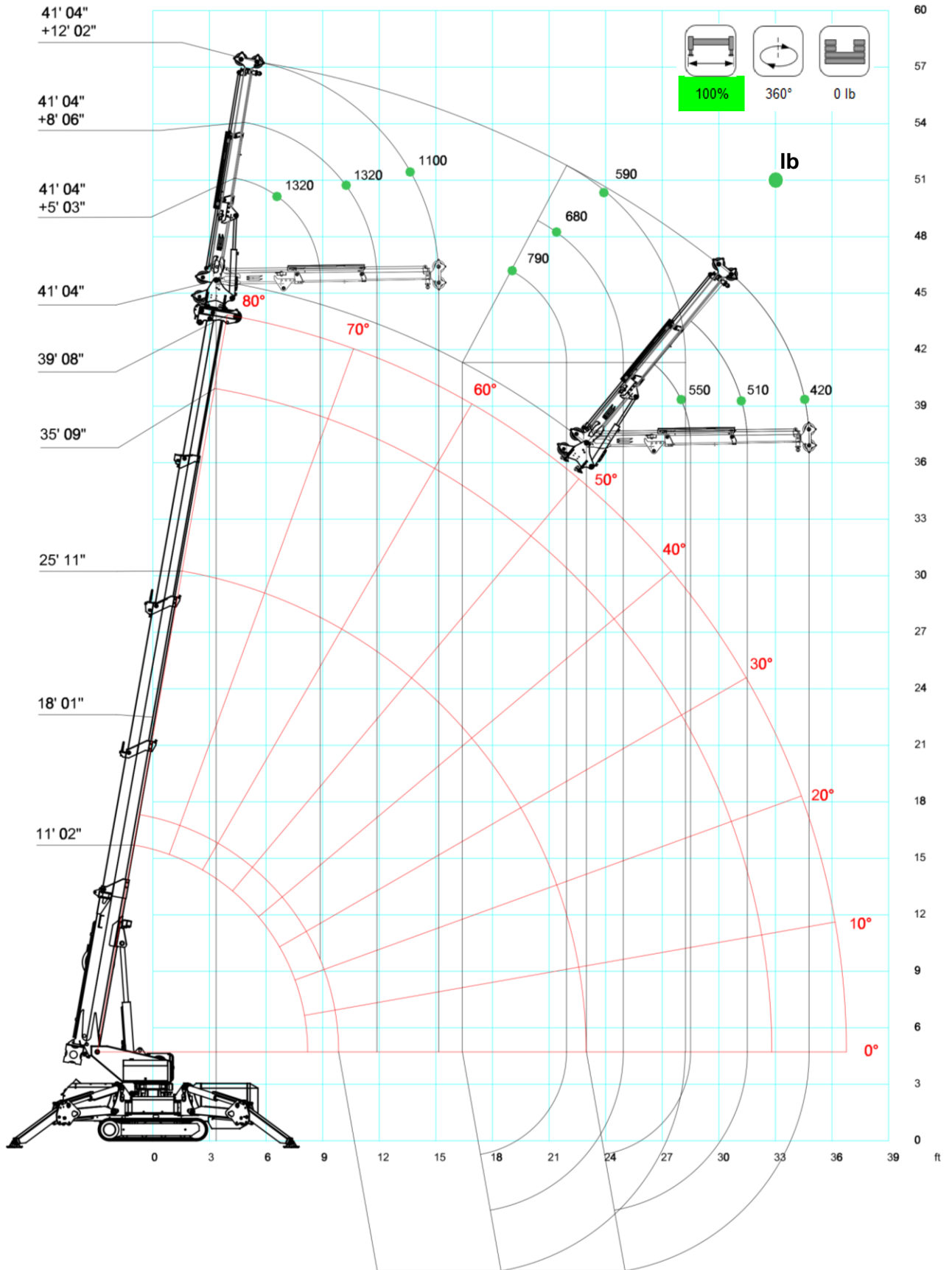
[ft] [lb]													
	JIB800G	100%	360°	0 lb	14' 05"	18' 01"	20' 04"	22' 08"	25' 11"	29' 02"	32' 06"	35' 09"	39' 08"
3' 03"	1760	1760	1760	1760	1760	1760	1760	1760	1760	1760	1760	1760	1760
6' 07"	1760	1760	1760	1760	1760	1760	1760	1760	1760	1760	1760	1760	1760
8' 02"	1760	1760	1760	1760	1760	1760	1760	1760	1760	1760	1760	1760	1760
9' 10"	1760	1760	1760	1760	1760	1760	1760	1760	1760	1760	1760	1760	1760
13' 01"	1760	1760	1760	1760	1760	1760	1760	1760	1760	1760	1760	1760	1760
15' 01"	1760	1760	1760	1760	1760	1760	1760	1760	1760	1760	1760	1760	1540
16' 05"		1760	1760	1760	1760	1760	1760	1760	1760	1760	1760	1540	1320
19' 08"		1760	1760	1760	1760	1540	1540	1540	1540	1320	1320	1320	1100
23' 00"			1540	1540	1540	1540	1540	1540	1540	1100	1100	1100	880
26' 03"				1320	1320	1320	1320	1320	1320	1100	1100	1100	880
29' 06"					990	990	990	990	990	990	990	990	770
32' 10"									770	770	770	770	770
36' 09"											550	550	550

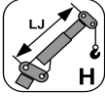
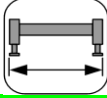
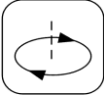
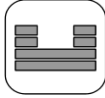
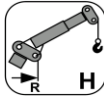
SPX0527.00.02.310.2.05.15.A

[ft] [lb]		>0mph icon" data-bbox="474 674 538 717"/>		
	JIB800G	>0mph	180°	0 lb
	14' 09"	16' 05"		
3' 03"	440	220		
12' 10"	440	220		




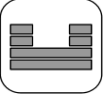
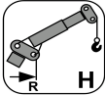
SPX0527.00.03.310.2.05.15.A

SPX527CDH + JIB600.2H



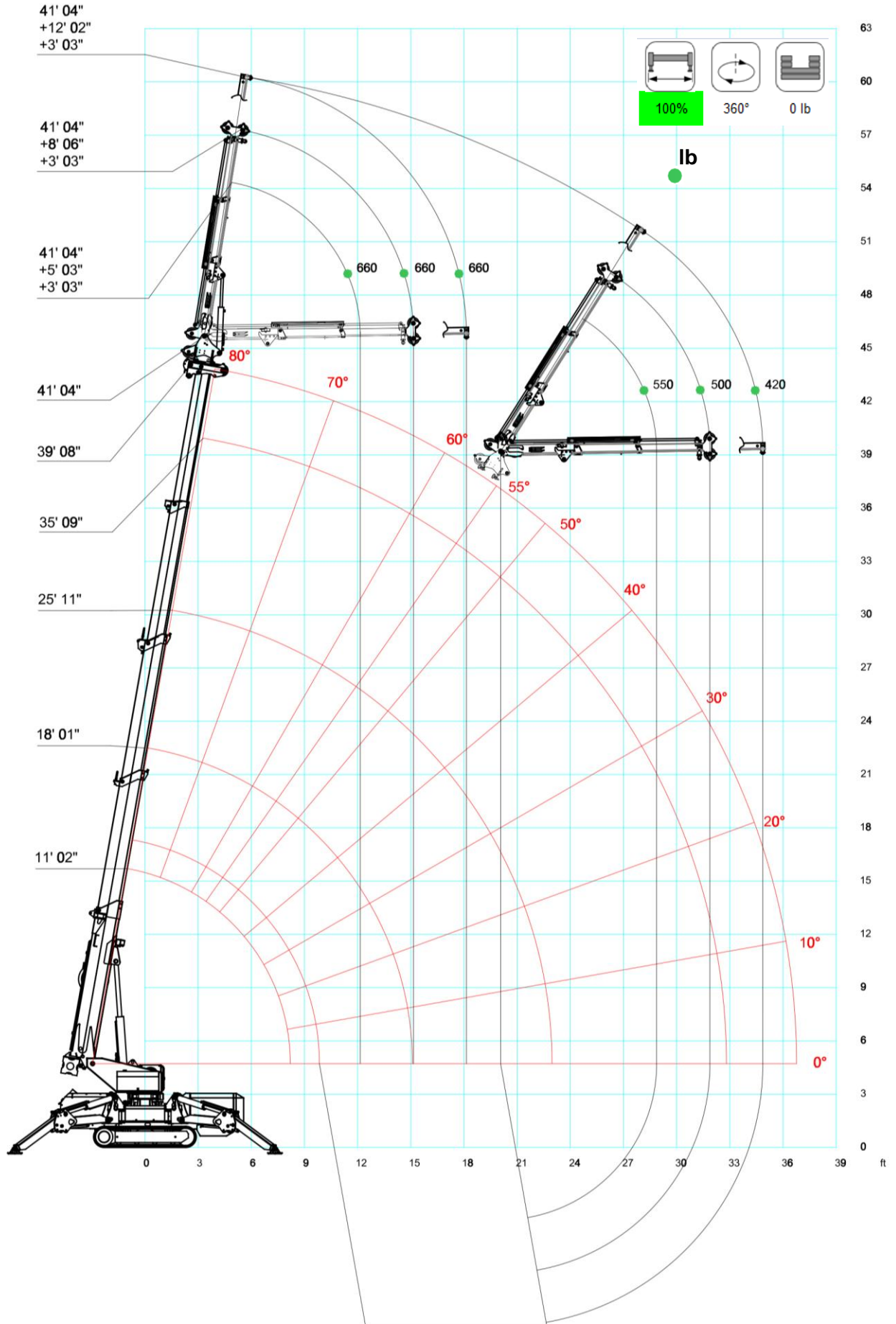
[ft] [lb]					
	JIB600.2H	100%	360°	0 lb	
	5' 03"	6' 11"	8' 06"	10' 02"	12' 02"
3' 03"	1320	1320	1320	1144	1100
9' 10"	1320	1320	1320	1144	990
13' 01"	1320	1210	1034	924	836
16' 05"	792	726	682	638	594
19' 08"	550	528	506	462	418
23' 04"	550	528	506	462	418

SPX0527.00.02.200.1.05.15.A

[ft] [lb]				
	JIB600.2H	>0mph	0°-180°	0 lb
	5' 03"	5' 11"		
6' 07"	440	220		
10' 06"	440	220		

SPX0527.00.03.200.1.05.15.A

SPX527CDH + JIB600.2H+Stinger



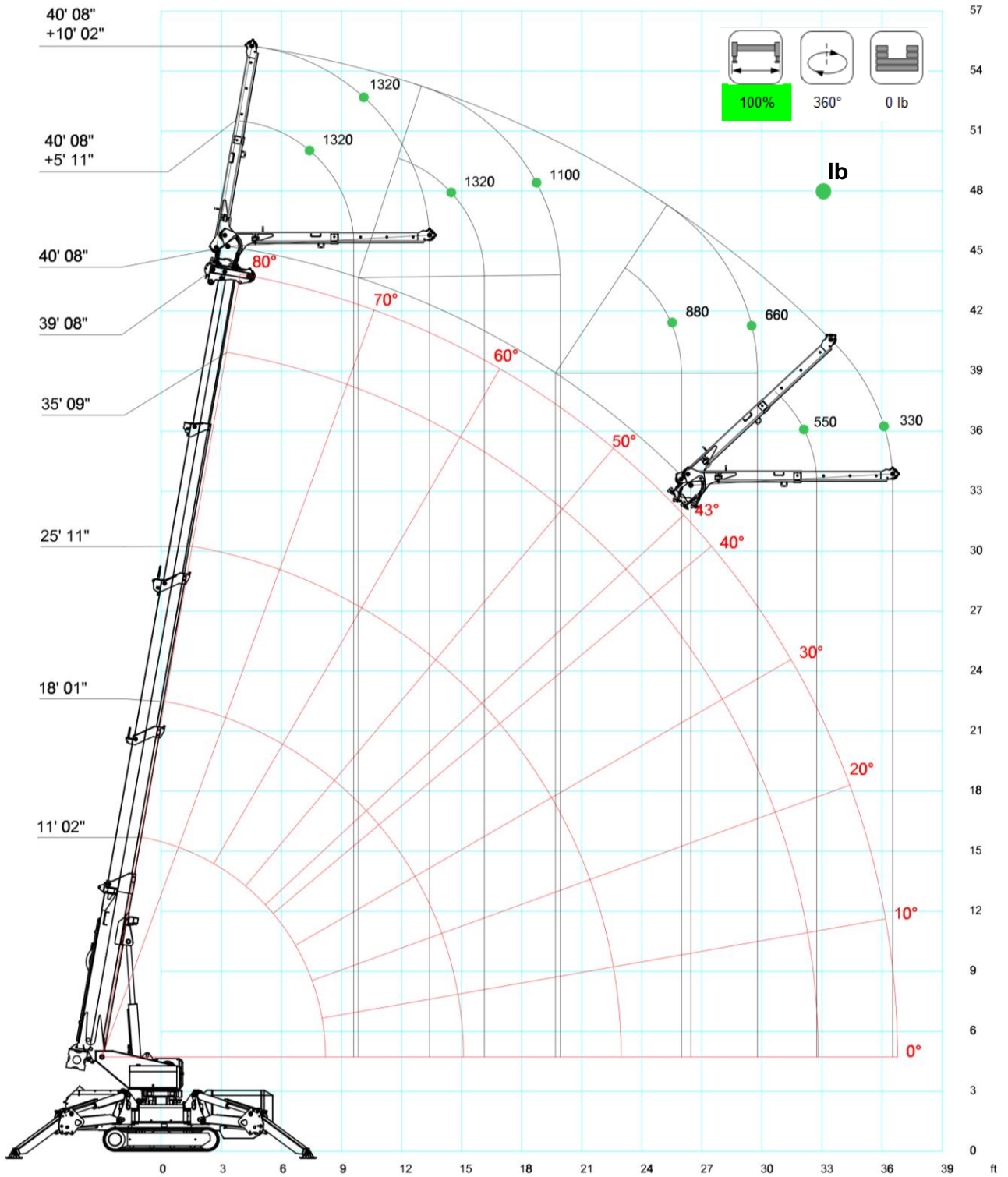
[ft] [lb]				
	JIB600.2H +1Stinger	100%	360°	0 lb
	6' 11"	8' 06"	10' 02"	12' 02"
3' 03"	660	660	660	660
9' 10"	660	660	660	660
13' 01"	660	660	660	660
16' 05"	660	660	638	594
20' 00"	528	506	462	418


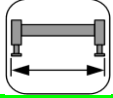
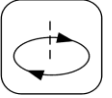
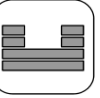
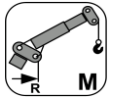
SPX0527.00.02.201.2.05.15.A

[ft] [lb]				
	JIB600.2H +1Stinger	>0mph	0°-180°	0 lb
	5' 03"	5' 11"		
6' 07"	440	220		
10' 06"	440	220		


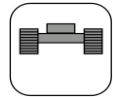

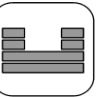
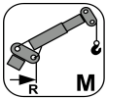
SPX0527.00.03.201.2.05.15.A

SPX527CDH + JIB600.1M



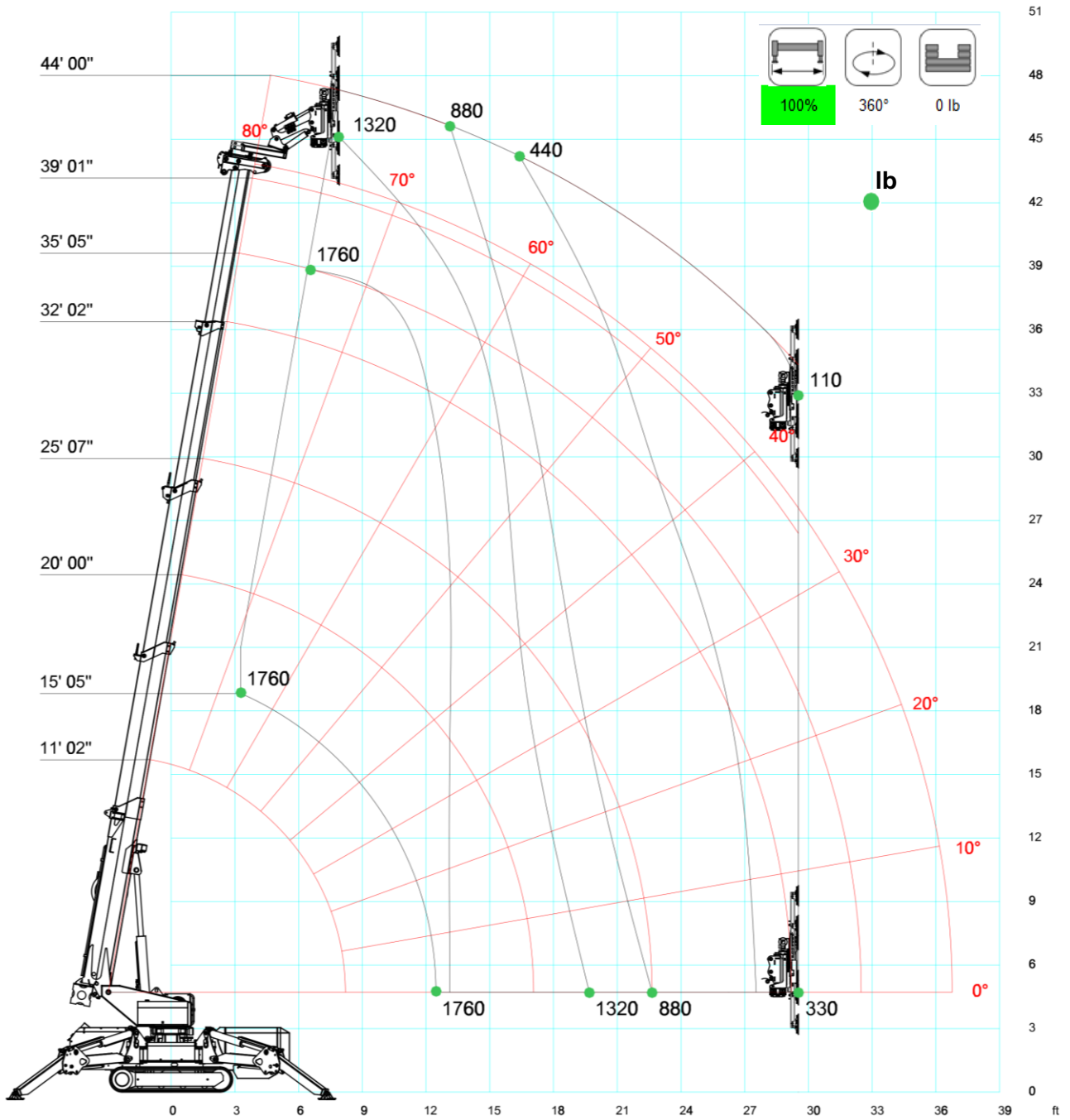
[ft] [lb]				
	JIB600.1M	100%	360°	0 lb
	5' 11"	10' 02"		
3' 03"	1320	1320		
9' 10"	1320	1100		
19' 08"	880	660		
26' 07"	550	330		

SPX0527.00.02.110.1.05.15.A

[ft] [lb]				
	JIB600.1M	>0mph	0°-180°	0 lb
	5' 11"	10' 02"		
6' 07"	440	220		
10' 06"	440	220		

SPX0527.00.03.110.1.05.15.A

SPX527CDH + MR800.4-6+4P



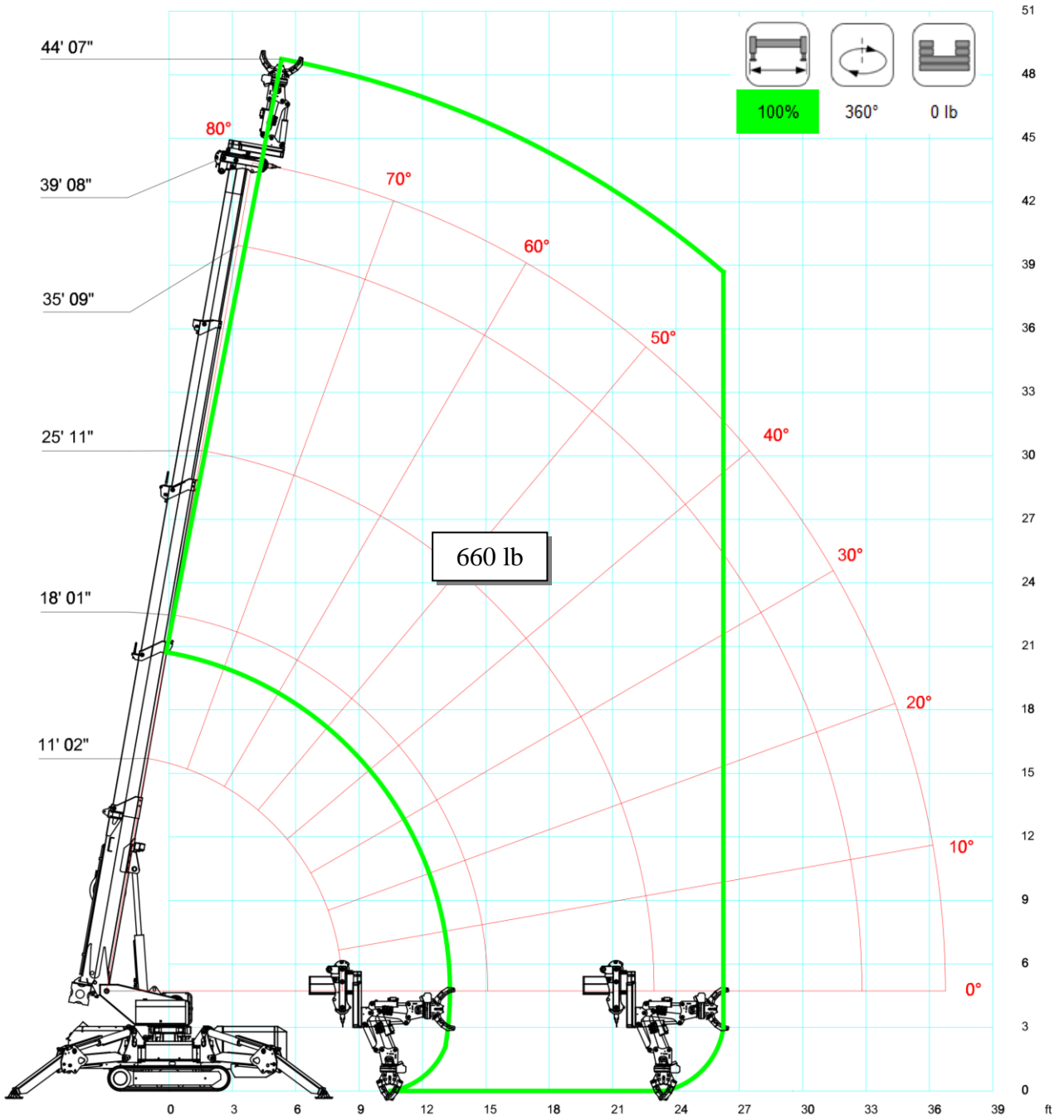
[ft] [lb]											
	MR800.4-6+4P	100%	360°	0 lb							
		15' 05"	17' 09"	20' 00"	22' 04"	25' 07"	28' 10"	32' 02"	35' 05"	39' 01"	44' 00"
3' 03"	1760										
6' 07"	1760	1760	1760	1760	1760	1760	1760	1760	1760		
9' 10"	1760	1760	1760	1760	1760	1760	1760	1760	1760	1540	1100
13' 01"		1760	1760	1760	1760	1760	1760	1760	1540	1320	880
16' 05"			1540	1540	1320	1320	1100	880	660	440	220
19' 08"						880	880	660	660	440	220
23' 00"							660	440	440	220	110
26' 03"								440	220	110	110
29' 06"									110	110	110

SPX0527.00.02.430.0.01.16.A

[ft] [lb]				
	MR800.4-6+4P	>0mph	0°-180°	0 lb
	15' 05"	17' 09"		
3' 03"	440	220		
13' 01"	440	220		

SPX0527.00.03.430.0.01.16.A

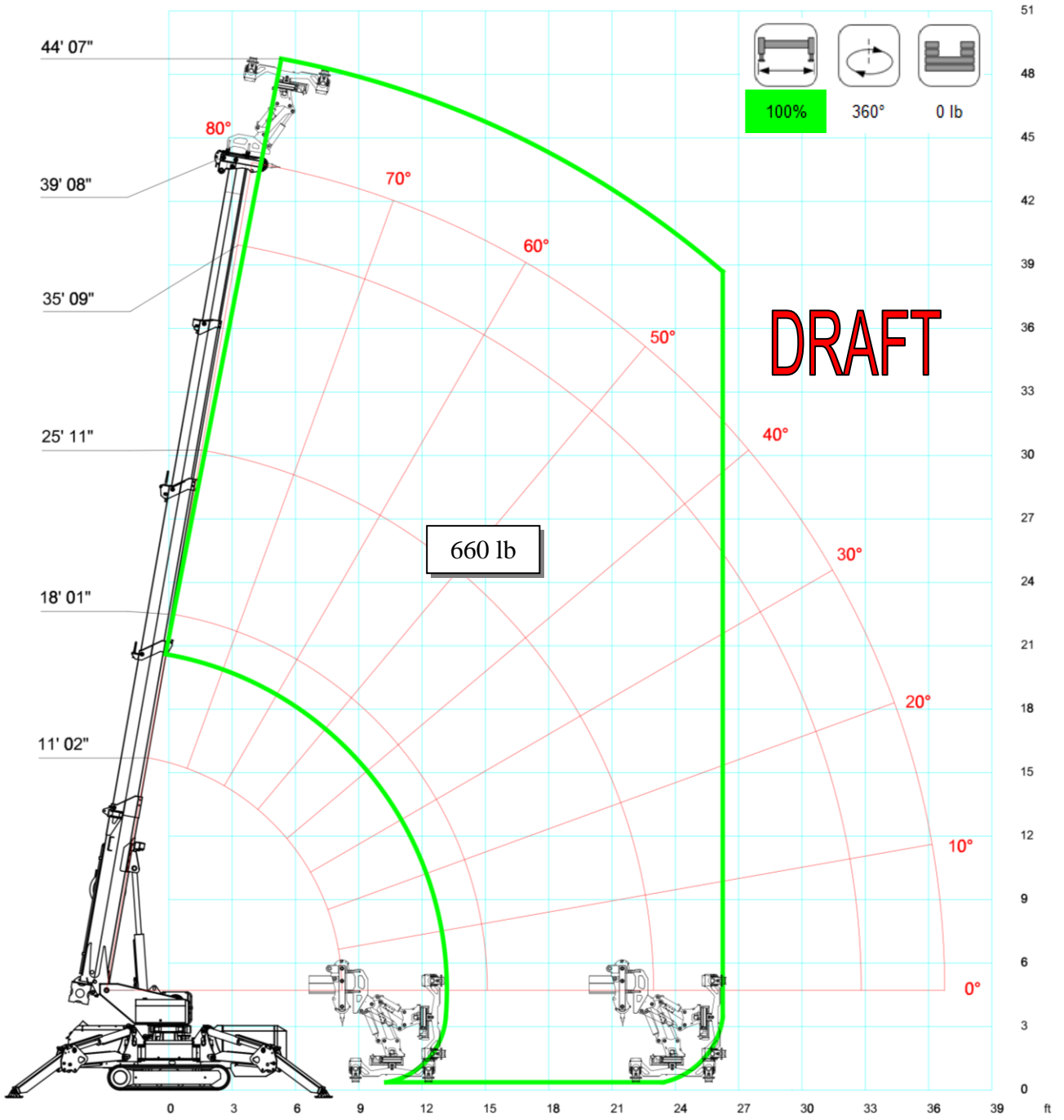
SPX527CDH + JIB301GR



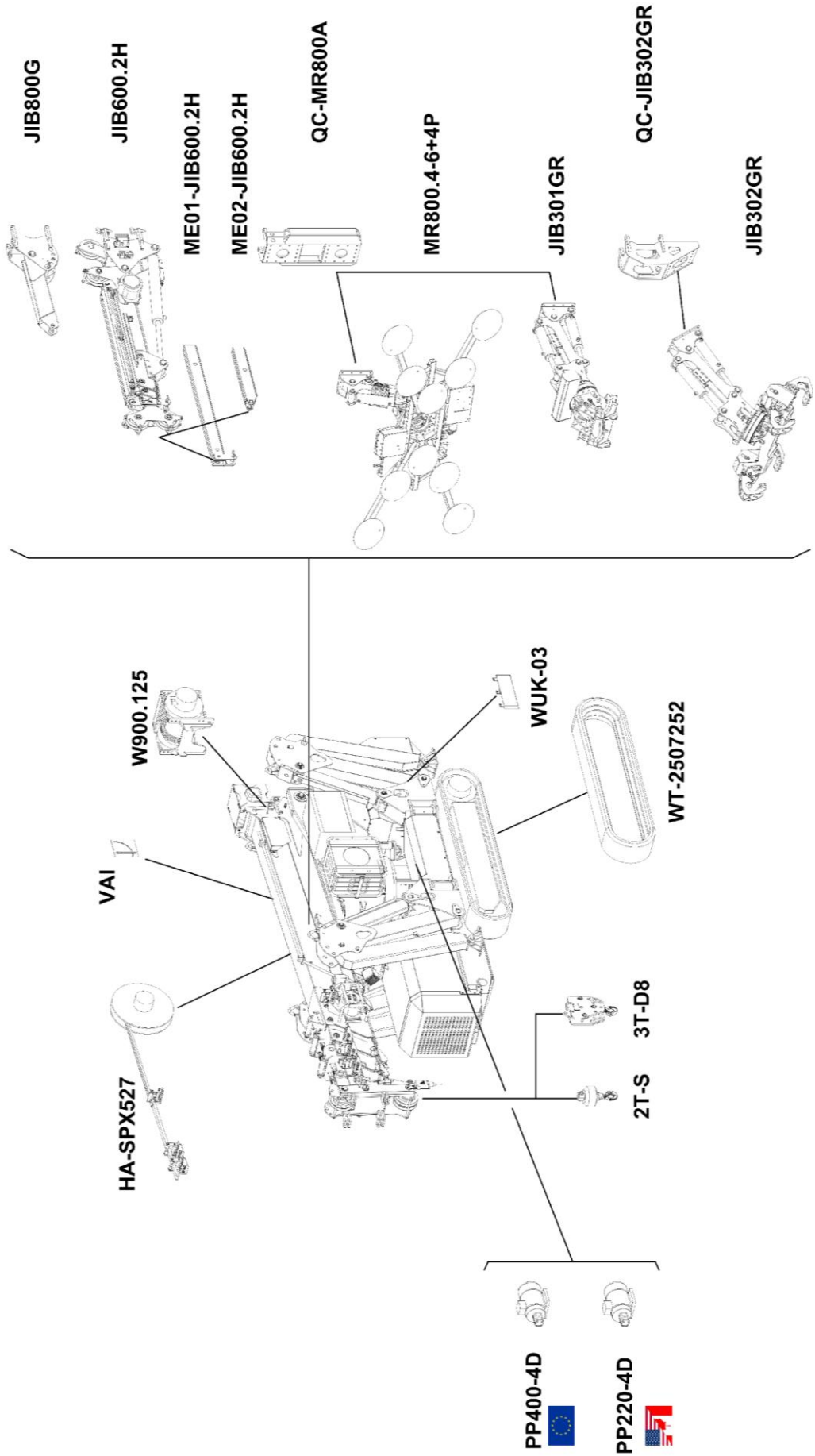


SPX527

SPX527CDH + JIB302GR



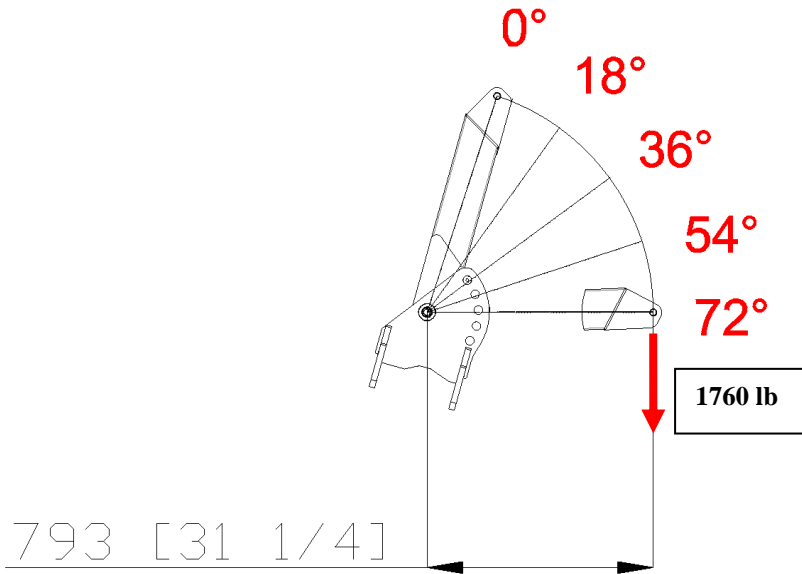
ACCESSORIES



	STD	PC-02	PC-12
Boom, Covers & Outriggers	<input type="checkbox"/> RAL2004	<input type="checkbox"/> RAL_____	<input type="checkbox"/> RAL_____
Chassis, Frames & Tanks	<input type="checkbox"/> RAL7001	<input type="checkbox"/> RAL7001	<input type="checkbox"/> RAL_____

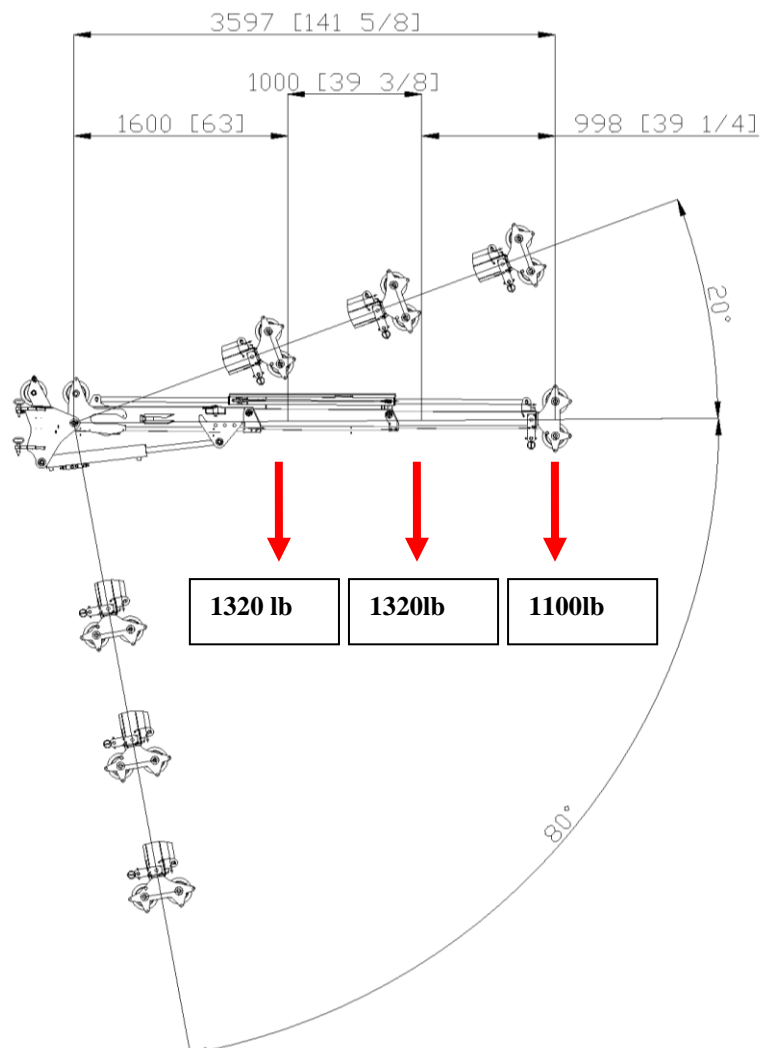
ACCESSORIES FEATURES

JIB 800G



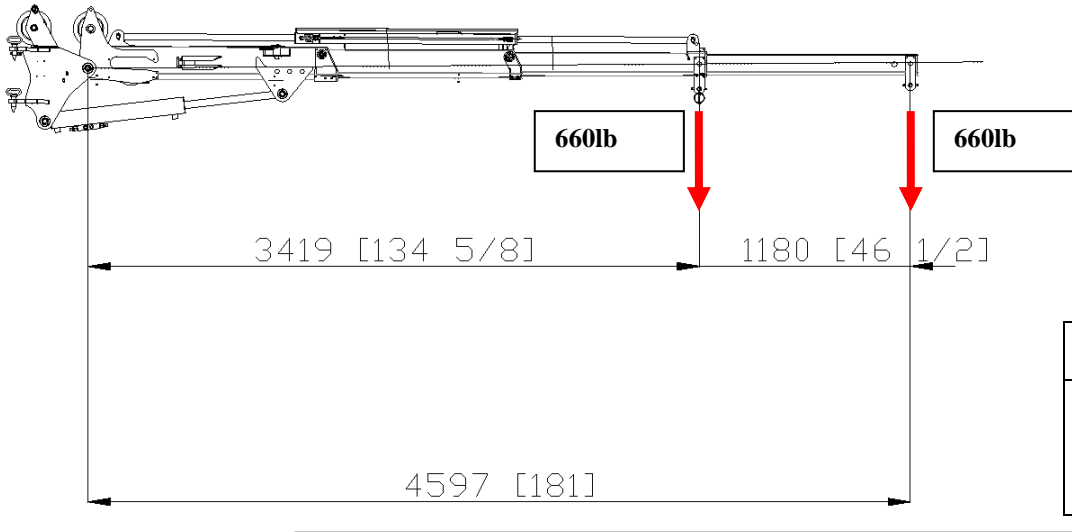
	lb
	58

JIB 600.2H



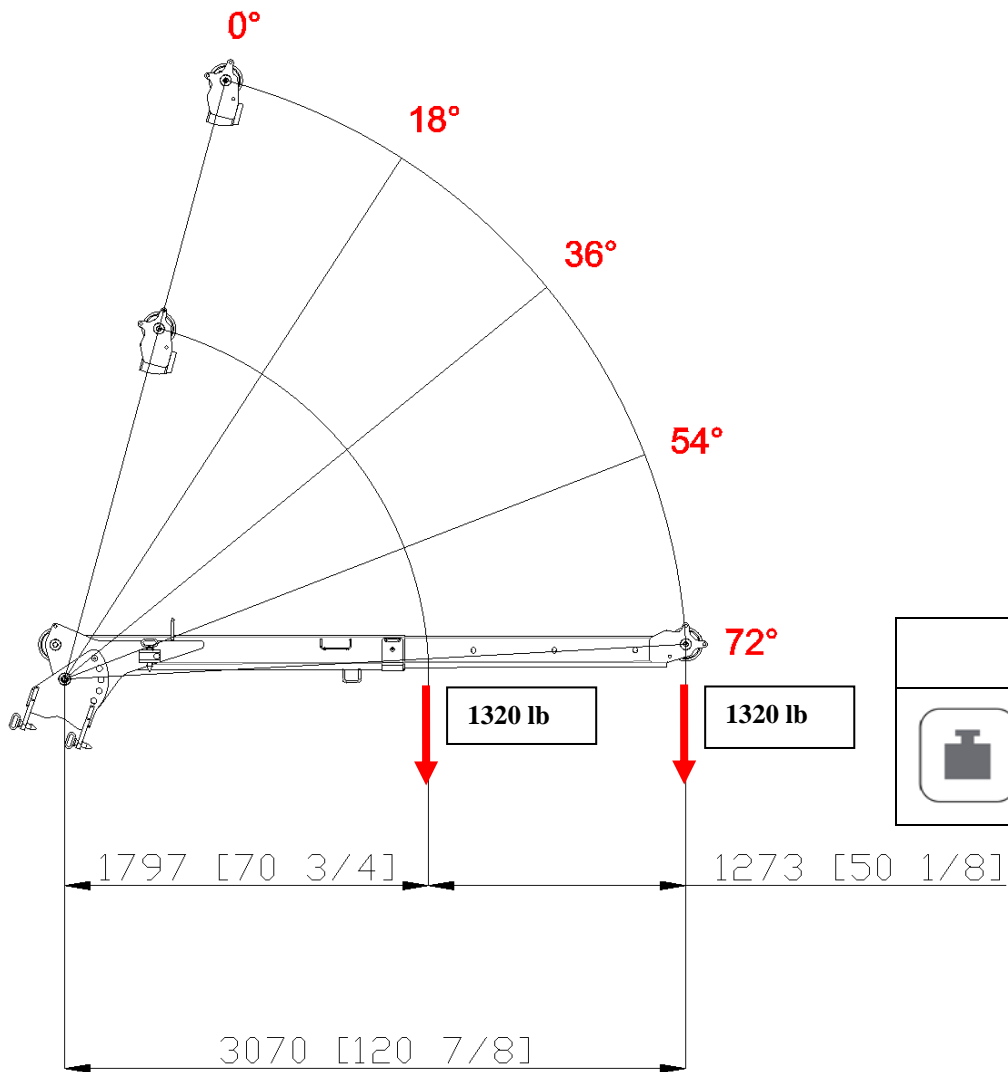
	lb
	460

JIB 600.2H + STINGER



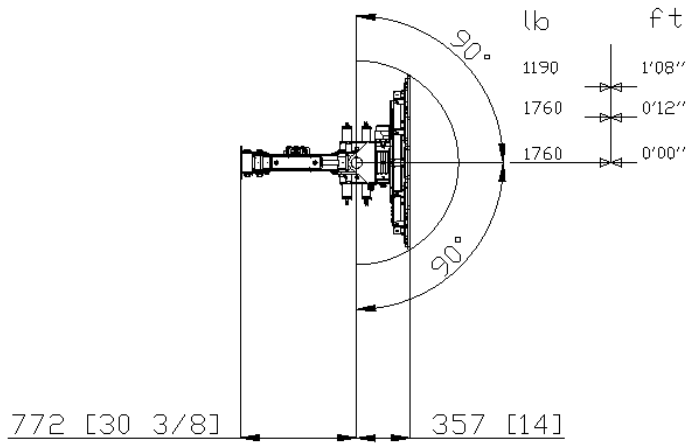
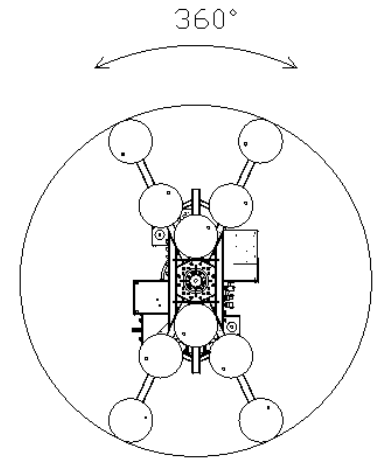
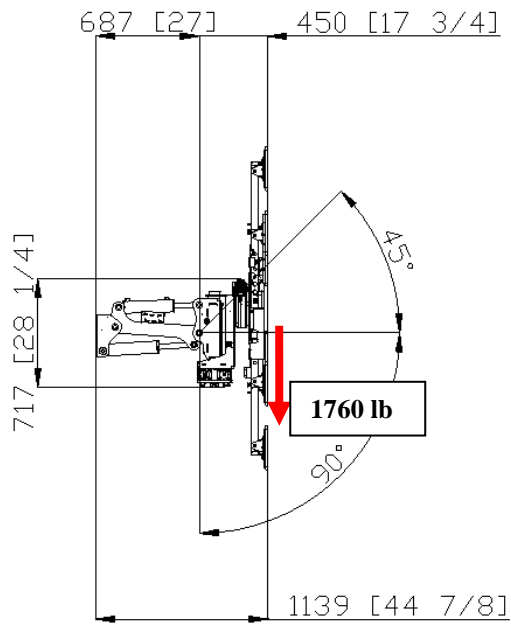
	lb
	470

JIB 600.1M



	lb
	215

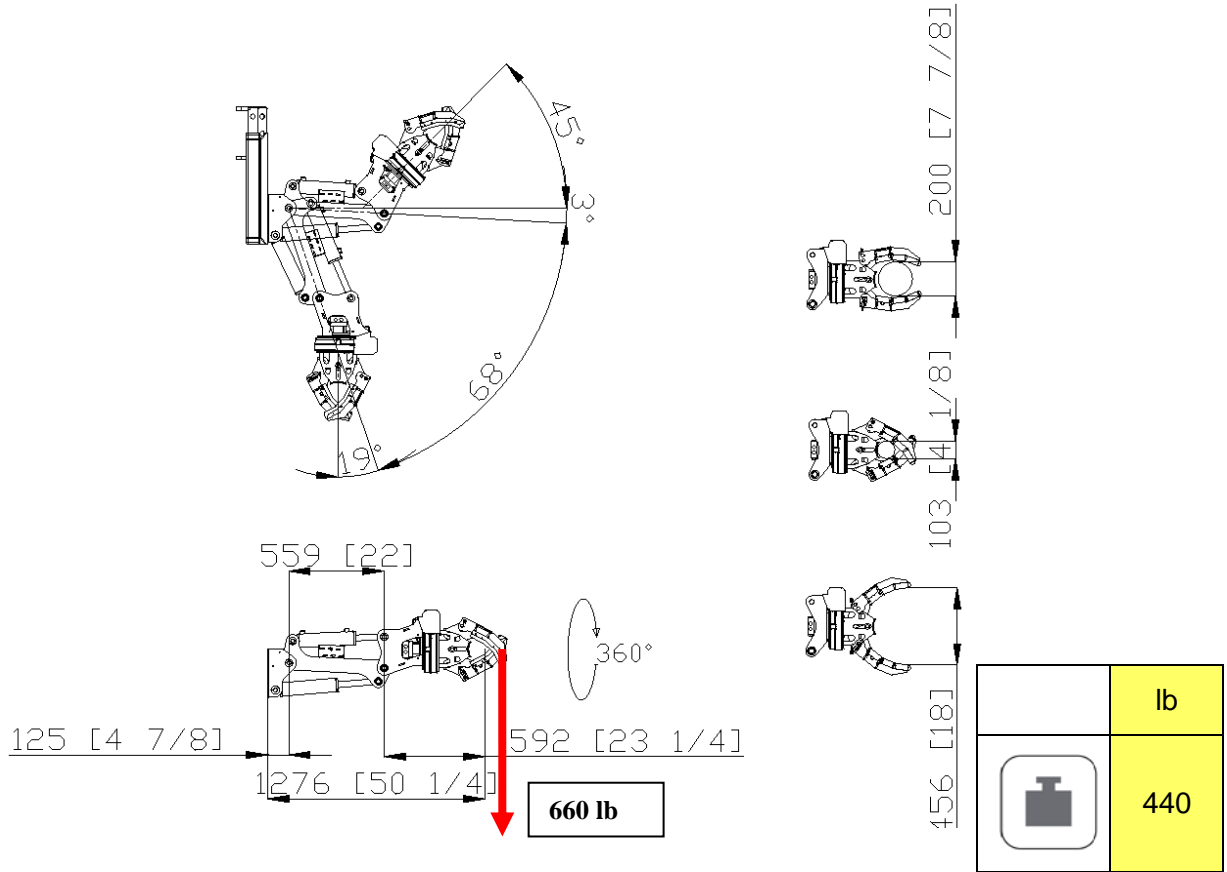
MR800.4-6+4P



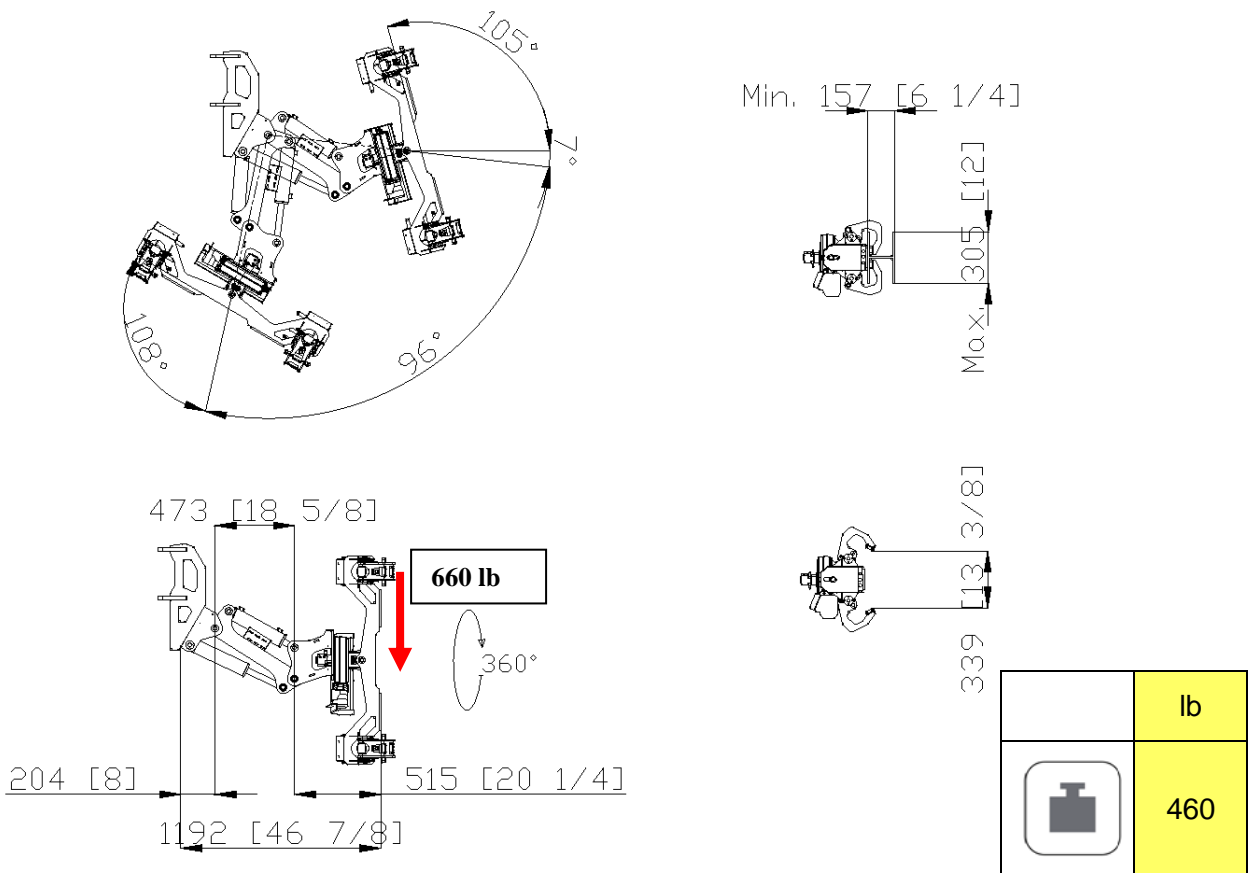
	6	10	n°
	1188	1760	lb
	594	880	lb

	lb
	650

JIB301GR



JIB302GR



SYMBOLS

	Weight		Chart Wheels		Engine		Jib length and angle
	Counterweight		Minipicker		Diesel Fuel		Jib Length
	Crane		Back Wheel Point Loading		Gasoline Fuel		Jib Radius
	Travel Speed		Front wheel Point Loading		Tank		Hydraulic Jib Length
	Gradeability		Travel Speed		Battery		Hydraulic Jib Radius
	Outrigger Load		Gradeability		Power		Mechanical Jib Length
	Track Loading		Working Radius		Boom Angle		Mechanical Jib Radius
	Outriggers Setup		Hookblock		Boom Length		Manipulator Length
	Ext Tracks Width		Slewing		Boom Radius		Manipulator Radius
	Chart On Tracks		Slewing Locked		Jib Hook Radius		Maximum inclination of the machinery
	Jib on board		Without jib on board		Stabilizing bar		Horizontal boom angle
	Number of vacuum pads		Factory max. load		Building site max. load		

Remarks referring to load chart

- For the calculation of the load charts at least a wind speed of 30 ft/s (20 mph) and regarding the load a sail area of 1m² (1,2 yd²) per metric ton (2205 lb) load and a wind resistance coefficient of 1.2 on the load have been taken into account. For lifting of loads with large sail areas and/or high wind resistance coefficients the maximum wind speed as stated in the load charts has to be reduced.
- Lifting capacities are given in pounds.
- The weight of the hook blocks and hooks is part of the load and therefore it must be deducted from the lifting capacities.
- Working radii are measured from the slewing centre.
- The lifting capacities given for the telescopic boom apply if the folding jib is removed.
- Subject to modification of lifting capacities.

NOTES



NOTES

A large, empty rectangular box with a thin black border, intended for handwritten notes.



DEALER



JEKKO S.r.l. via Campardone, 1 Z.I. 31014 Colle Umberto (TV)
Italy tel. +39 0438 1710083 fax +39 0438 1710123
www.jekko.it - info@jekko.it