

# WOOD'S POWR-GRIP® QUADRA-TILT™ ROTATORS 1200 & 1400 (DC) WITH DC3 DUAL VACUUM SYSTEM

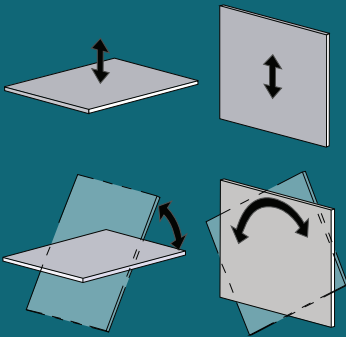
Employing state-of-the-art technology, *Intelli-Grip™* automatically monitors vacuum and power systems to:

- Maximize productivity
- Help reduce human error
- Simplify maintenance and repairs
- Protect employees and property from harm



**MRTA811LDC3**  
1400 lbs [635 kg]

**MRTA810TDC3**  
1200 lbs [545 kg]



	<b>MRTA811LDC3</b>	<b>MRTA810TDC3</b>
<b>Maximum Load Capacity</b>	<b>1400 lbs [635 kg]</b>	<b>1200 lbs [545 kg]</b>
<b>Intelli-Grip™ Technology</b>	<p>Automatic self-testing ensures lifter is ready for use, every lift.            Color display provides critically relevant information at a glance.            Anticipates threats and alerts operator beforehand with clearly visible and audible warnings.            Smart power management enables lifter to work longer on a single charge.            Continuously monitors battery and prevents lifter from attaching to loads if energy is hazardously low.            Multiple alarm levels plainly identify the severity of hazards.</p>	
<b>Load Movement</b>	<p>Manual rotation, 360° edgewise, with automatic locking at each 1/4 revolution            Assisted manual tilt, 90° between upright and flat</p>	
<b>Standard Operating Power</b>	12 volts DC, 4.5 amps	
<b>Standard Features</b>	<p>Intelli-Grip™ technology            Dual vacuum system            Battery and charger            Battery energy gauge            Low vacuum warning buzzer            Power loss warning buzzer            Green lift light            Vacuum gauges            Vacuum line filters            Vacuum reserve tanks            Spring-mounted vacuum pads            (Re)movable pad mounts            Pad extension arms            Tilt locks            Blow-off for quick release            Two-action, push-button release</p>	
<b>Dual Vacuum System</b>	<p>Features two completely independent vacuum circuits.            Provides vacuum system redundancy.            Limits possibility of a catastrophic failure.            Reduces chance of harm to personnel or equipment.</p>	
<b>Available Options</b>	<p>Remote control system (59906AM)            Pad frame T-arm assemblies (97465 &amp; 97465HV)            Forklift adapter (95457)            Alternative vacuum pads (Specifications not as listed above. Please contact us for more information):                9" [23 cm] diameter pad (VPFS9)                10" [25 cm] diameter, concave pad (G0750)                10" [25 cm] diameter with replaceable sealing ring (VPFS10T)            Alternative pad compounds, including ones for low-marking, temperature resistant and coated surface applications (special order)</p>	



**THE ORIGINAL  
& TRUSTED NAME  
IN VACUUM LIFTING  
EQUIPMENT**

**800.548.7341**  
**WPG.com**

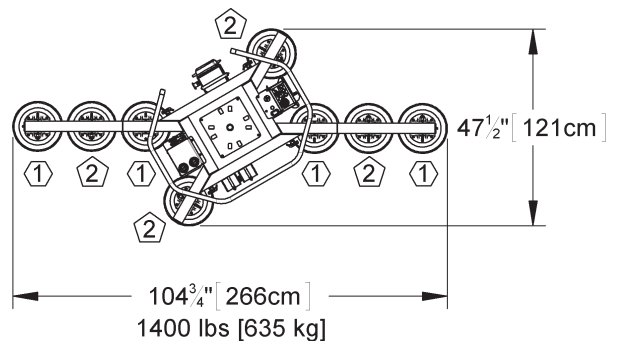
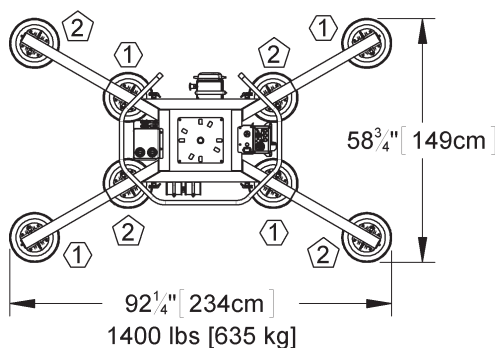
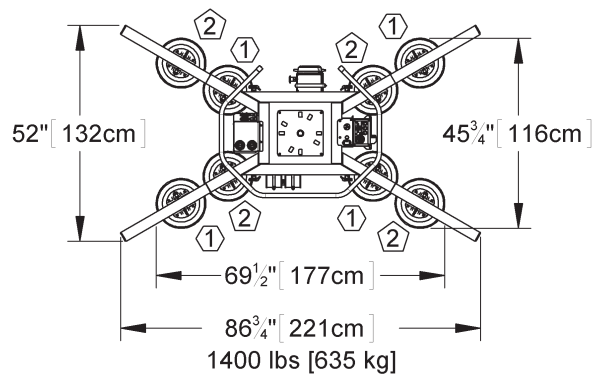
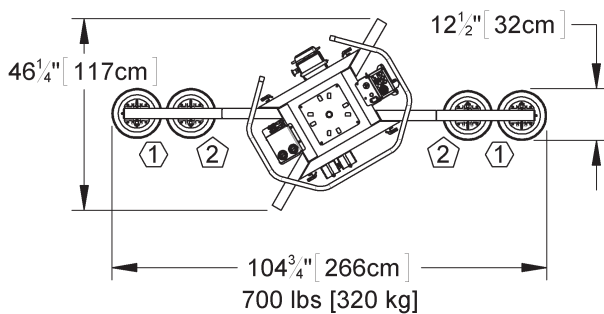
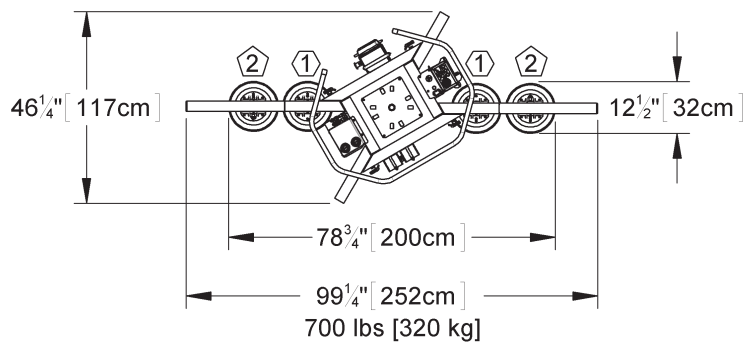
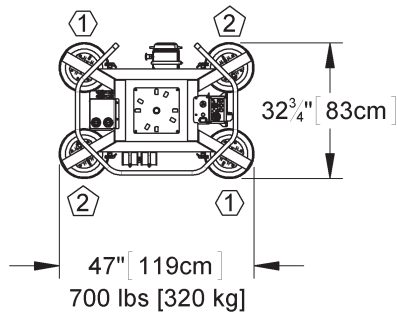
908 West Main - P.O. Box 368  
 Laurel, Montana 59044 U.S.A.  
 406.628.8231 (phone)  
 406.628.8354 (fax)



Products are manufactured under an ISO 9001 quality management system

Wood's Powr-Grip products are sold through authorized dealers.

	MRTA811LDC3	MRTA810TDC3
<b>Standard Pad Spread</b>	Minimum Width - 12-1/2" [32 cm] Maximum Width - 58-3/4" [149 cm] Minimum Length - 47" [119 cm] Maximum Length - 104-3/4" [266 cm]	Minimum Width: 11-1/2" [29 cm] Maximum Width: 58" [147 cm] Minimum Length: 46" [117 cm] Maximum Length: 104" [264 cm]
<b>Number / Size of Pads</b>	8 / 11" [28 cm] diameter, lipped pads	8 / 10" [25 cm] diameter pads with replaceable sealing rings
<b>Lifter Weight</b>	200 lbs [91 kg]	
<b>Design Standards</b>	ASME B30.20 (BTH-1 Design Category "B", Service Class "0") CE AS 4991  (See <a href="http://www.WPG.com">www.WPG.com</a> for more information.)	
Environmental conditions can affect product performance and longevity; consult the product instructions on <a href="http://WPG.com">WPG.com</a> or contact a Technical Sales Representative for more information. Based on product information at time of publication.		



Model MRTA811LDC2 shown here.