



SMARTER THINKING LEADS TO SAFER INSTALLATIONS

SmartGroup America has revolutionized the smartest way to install glass. SmartGroup Lifts are improving safety and productivity like no other lift in the world. Using an SG Lift is now the smartest way for glaziers to lift and install glass. It is the smartest lift in the industry.



SG650 All Terrain Manipulator

- All outdoor SmartGroup Lifts are designed to raise 18 feet 6 inches (222") high making it possible to install second-story windows from the ground.
- Maximum horizontal reach is 11 feet 5 inches (137").
- The SG650's maximum lift capacity is 1433lbs.
- A potentiometer controls the desired speed of the manipulator.
- A load cell monitors safe weight and position of material. An LED indicator tells when the unit is approaching load capacity.
- The SG650 is built with the lowest center of gravity in its class (the unit weighs 2590lbs).
- Equipped with all-terrain foam filled tires its front-wheel drive is ideal for outdoor or indoor use.

SG650 ATM All Terrain Manipulator

➤ A 21-inch-wide rear-wheel base positions the SG Lift for greater stability on rugged surfaces at construction sites.

➤ SG Lifts can easily pick up a sheet of glass (or any flat, non-porous material like metal or stone) off an A-frame or out of a crate and carry it safely to complete an installation.

➤ Dual vacuum suction cup system safeguards the handling of flat materials through transport and installation.

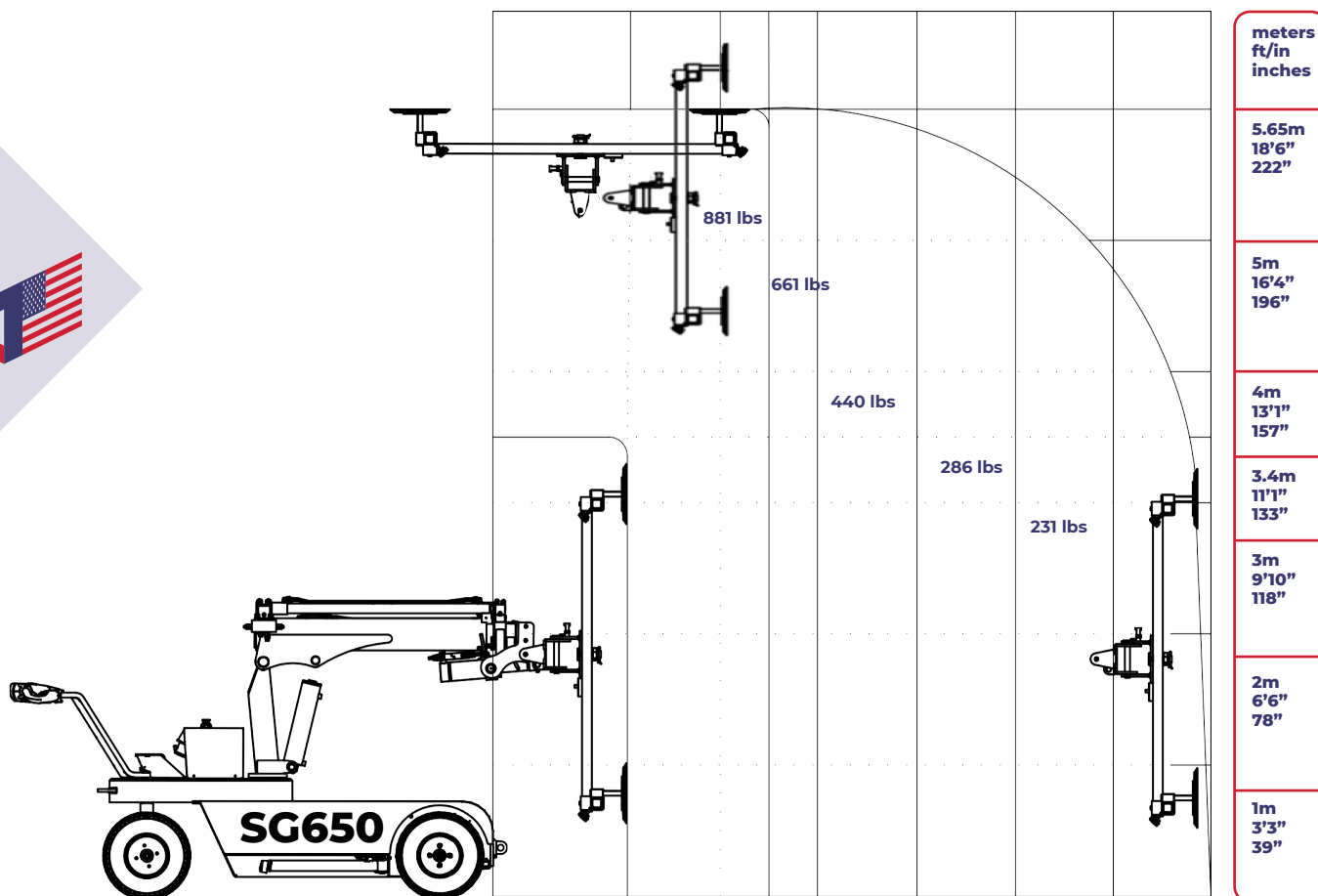
➤ The telescopic boom has three hydraulic segments that can reach full extension with the push of a button.

➤ Wireless remote control.

➤ The SG650's dimensions are 35" WIDE x 60" TALL x 126" LONG.

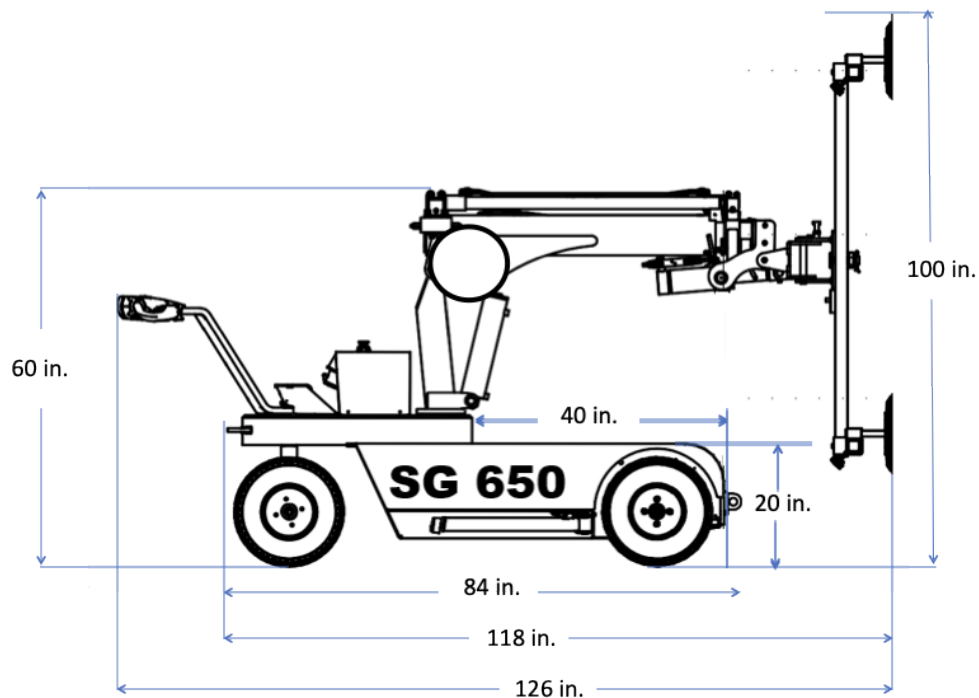
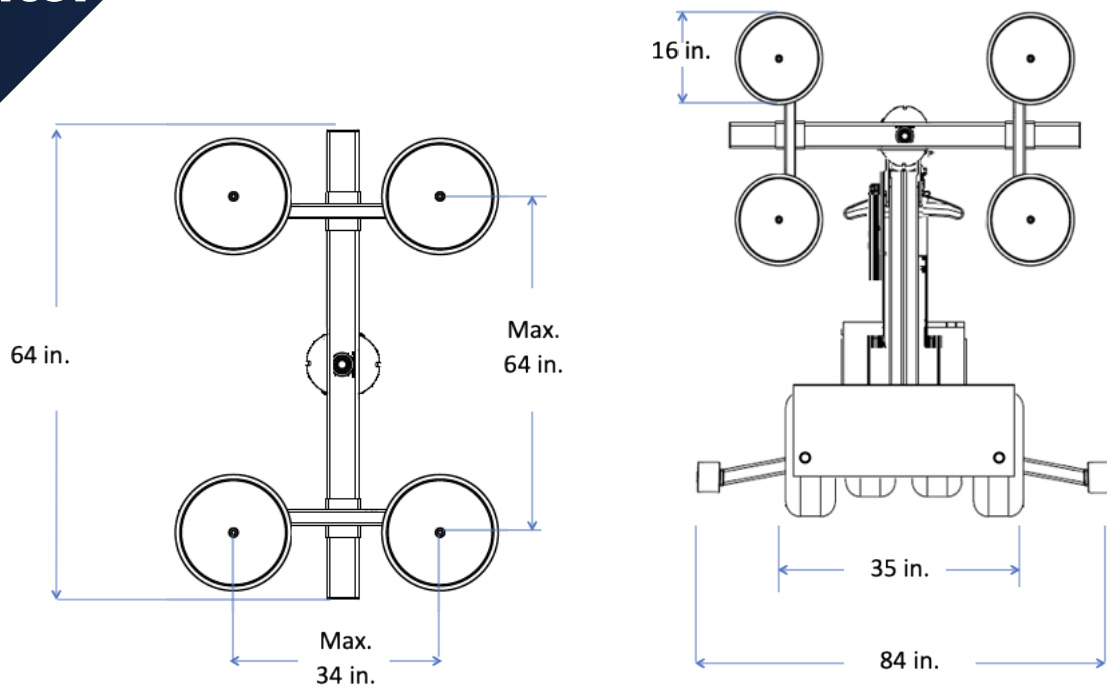
➤ The SG650 can be transported in a cargo van or on a utility trailer.

kg	650	400	300	200	130	105	85
lbs	1433	881	661	440	286	231	187



m	0.5m	0.75m	1.25m	1.5m	2m	2.5m	3m	3.5m
ft/in.	1'7"	2'4"	4'1"	4'11"	6'6"	8'2"	9'10"	11'5"
inches	19"	28"	49"	59"	78"	98"	118"	137"

SG650 ATM All Terrain Manipulator



SmartGroup Lift Key Features

SG 650 ATM

Maximum Lift Capacity	1433lbs
Vertical Boom Extension (overhead)	18'5" (222") 5.65m
Horizontal Reach	11'5" (137") 3.5m
Machine (WxHxL)	35"x 60"x 126"
Machine weight	2590lbs