



# SPX1280

DIESEL + ELECTRIC POWER UNIT



## REMOTE CONTROL

- ✓ Multifunctional
- ✓ Proportional
- ✓ LCD Screen
- ✓ Spare battery
- ✓ Alarm & error diagnostic



## MAIN BOOM



- ✓ 17600 lb MAX capacity
- ✓ 64'8" MAX height
- ✓ 4 hydraulic extensions chain
- ✓ High-resistance steel

## HYDRAULIC JIB

- ✓ Hook or winch mode
- ✓ 3300 lb MAX capacity
- ✓ 87'7" MAX height
- ✓ Stored on board & easy to install



## ADDITIONAL ELECTRIC POWER UNIT



- ✓ On board
- ✓ 50 Hz or 60 Hz
- ✓ Simple switch from diesel

## SPECIAL FEATURES

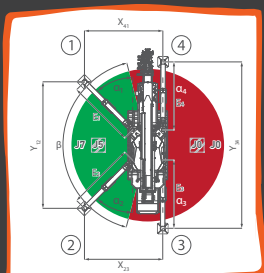


- ✓ Virtual Walls
- ✓ 360° 4400 lb Pick&Carry
- ✓ All accessories on board
- ✓ Self-diagnostic system
- ✓ Variable displacement pump

## 360° ENDLESS ROTATION

## OUTRIGGERS

- ✓ 5 different stability levels
- ✓ Self-levelling system
- ✓ 0 - 45° full range angle & telescopic



## WINCH



- ✓ Up to 410'1" rope
- ✓ 3300 lb single line
- ✓ Up to 6 falls
- ✓ Pulley heads and pulley block on board

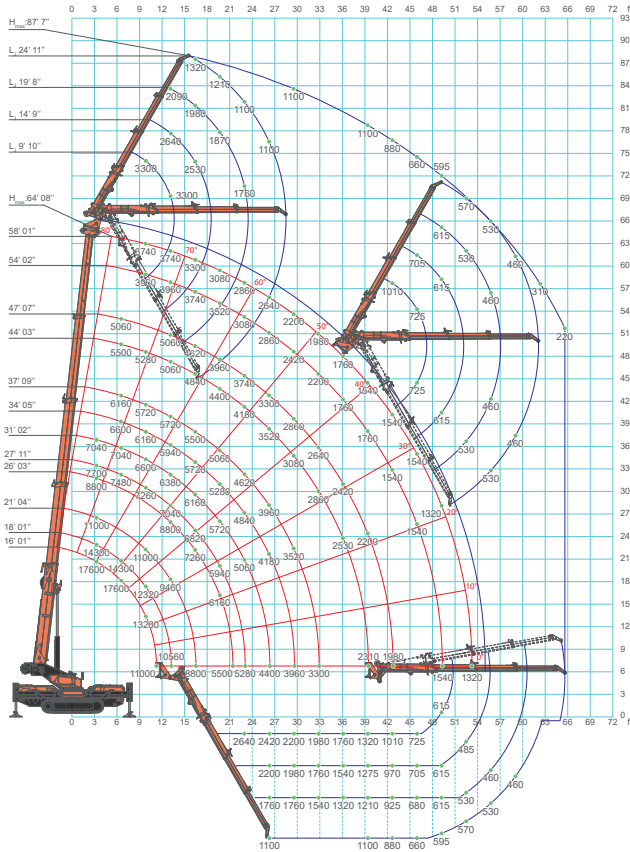
## TRACKS

- ✓ Hydraulically extendable
- ✓ White or black tracks





# LOAD CHART



SCAN FOR MORE TECHNICAL DATA

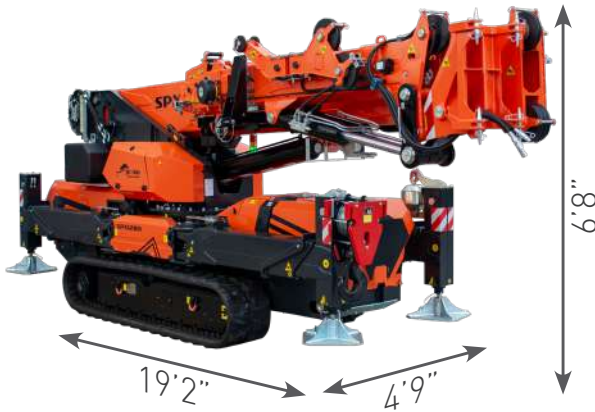


	lb
SPX1280	18960*
Hydraulic Jib	1488
Electric Power Unit	309

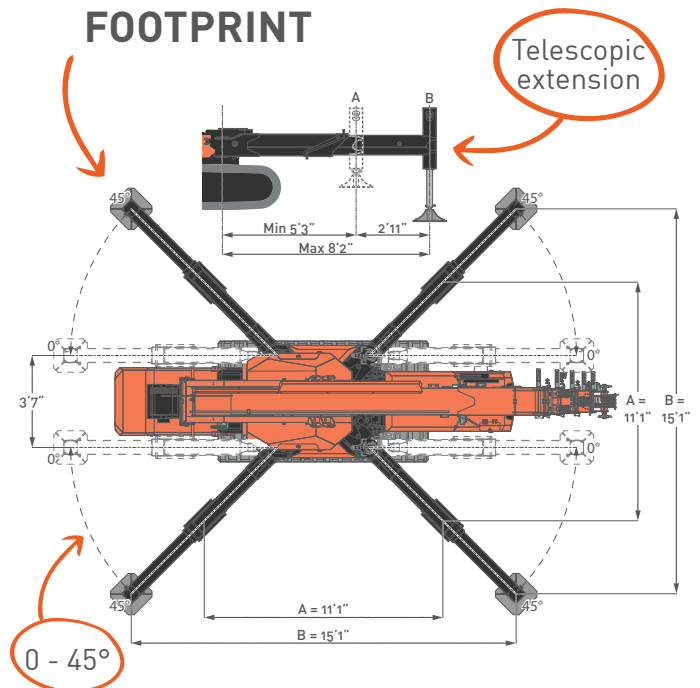
\* 3307 lb counterweight included



## DIMENSIONS



## FOOTPRINT



## ACCESSORIES

**JVM800-R**  
1760 lb glass manipulator



**3300 lb Hydraulic JIB**  
Stored on board



**RUNNER JIB**  
7716 lb hook or 6614 lb pulley



**LUFFING JIB**  
3300 lb

